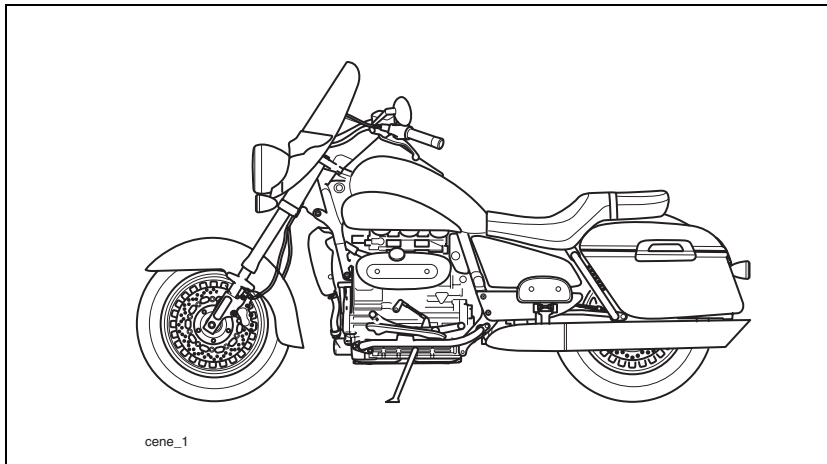


FOREWORD

This handbook contains information on the Triumph Rocket III Touring motorcycle. Always store this owner's handbook with the motorcycle and refer to it for information whenever necessary.



Warnings, Cautions and Notes

Throughout this owner's handbook particularly important information is presented in the following form:

Warning

This warning symbol identifies special instructions or procedures, which if not correctly followed could result in personal injury, or loss of life.

Caution

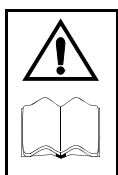
This caution symbol identifies special instructions or procedures, which, if not strictly observed, could result in damage to, or destruction of, equipment.

Note:

- **This note symbol indicates points of particular interest for more efficient and convenient operation.**

Foreword

Warning Labels



At certain areas of the motorcycle, the symbol (left) can be seen. The symbol means 'CAUTION: REFER TO THE HANDBOOK' and will be followed by a pictorial representation of the subject

concerned.

Never attempt to ride the motorcycle or make any adjustments without reference to the relevant instructions contained in this handbook.

See pages *10* and *11* for the location of all labels bearing this symbol. Where necessary, this symbol will also appear on the pages containing the relevant information.

Maintenance

To ensure a long, safe and trouble free life for your motorcycle, maintenance should only be carried out by an authorised Triumph dealer.

Only an authorised Triumph dealer will have the necessary knowledge, equipment and skills to maintain your Triumph motorcycle correctly.

To locate your nearest Triumph dealer, visit the Triumph web site at www.triumph.co.uk or telephone the authorised distributor in your country. Their address is given in the service record book that accompanies this handbook.

Noise Control System

Tampering with the Noise Control System is Prohibited.

Owners are warned that the law may prohibit:

- a) The removal or rendering inoperative by any person other than for purposes of maintenance, repair or replacement, of any device or element of design incorporated into any new vehicle for the purpose of noise control prior to its sale or delivery to the ultimate purchaser or while it is in use and,
- b) the use of the vehicle after such device or element of design has been removed or rendered inoperative by any person.

Foreword

Owner's Handbook

Thank you for choosing a Triumph motorcycle. This motorcycle is the product of Triumph's use of proven engineering, exhaustive testing, and continuous striving for superior reliability, safety and performance.

Please read this owner's handbook before riding in order to become thoroughly familiar with the correct operation of your motorcycle's controls, its features, capabilities and limitations.

This handbook includes safe riding tips, but does not contain all the techniques and skills necessary to ride a motorcycle safely.

Triumph strongly recommends that all riders undertake the necessary training to ensure safe operation of this motorcycle.

Information

The information contained in this publication is based on the latest information available at the time of printing. Triumph reserves the right to make changes at any time without prior notice, or obligation.

Not to be reproduced wholly or in part without the written permission of Triumph Motorcycles Limited.

© Copyright 03.2009 Triumph Motorcycles Limited, Hinckley, Leicestershire, England.

Publication part number 3852901 issue 3.

Warning

This owner's handbook, and all other instructions that are supplied with your motorcycle, should be considered a permanent part of your motorcycle and should remain with it even if your motorcycle is subsequently sold.

All riders must read this owner's handbook and all other instructions which are supplied with your motorcycle, before riding, in order to become thoroughly familiar with the correct operation of your motorcycle's controls, its features, capabilities and limitations. Do not lend your motorcycle to others as riding when not familiar with your motorcycle's controls, features, capabilities and limitations can lead to an accident.

Foreword

Table of Contents

This handbook contains a number of different sections. The table of contents below will help you find the beginning of each section where, in the case of the major sections, a further table of contents will help you find the specific subject required.

| | |
|--|----|
| Foreword..... | 1 |
| Warning Labels..... | 10 |
| Parts Identification..... | 12 |
| Serial Numbers..... | 15 |
| General Information..... | 17 |
| How to Ride the Motorcycle..... | 37 |
| Accessories, Loading and Passengers..... | 47 |
| Maintenance and Adjustment..... | 51 |
| Storage..... | 91 |
| Specifications..... | 93 |

FOREWORD - SAFETY FIRST

The Motorcycle

 **Warning**

This motorcycle is designed for on-road use only. It is not suitable for off-road use. Off-road operation could lead to loss of control of the motorcycle resulting in an accident causing injury or loss of life.

 **Warning**

This motorcycle is not designed to tow a trailer or be fitted with a sidecar. Fitting a sidecar and/or a trailer may result in loss of control and an accident.

 **Warning**

This motorcycle is designed for use as a two-wheeled vehicle capable of carrying a rider on his/her own, or a rider and one passenger.

The total weight of the rider, and any passenger, accessories and luggage must not exceed the maximum load limit of 220 kg.

Fuel and Exhaust Fumes

 **Warning**

PETROL IS HIGHLY FLAMMABLE:

Always turn off the engine when refuelling. Do not refuel or open the fuel filler cap while smoking or in the vicinity of any open (naked) flame.

Take care not to spill any petrol on the engine, exhaust pipes or silencers when refuelling.

If petrol is swallowed, inhaled or allowed to get into the eyes, seek immediate medical attention.

Spillage on the skin should be immediately washed off with soap and water and clothing contaminated with petrol should immediately be removed.

Burns and other serious skin conditions may result from contact with petrol.

 **Warning**

Never start your engine or let it run for any length of time in a closed area. The exhaust fumes are poisonous and may cause loss of consciousness and death within a short time. Always operate your motorcycle in the open-air or in an area with adequate ventilation.

Foreword - Safety First

Helmet and Clothing

Warning

When riding the motorcycle, both rider and passenger must always wear a motorcycle helmet, eye protection, gloves, trousers (close fitting around the knee and ankle) and a brightly coloured jacket. Brightly coloured clothing will considerably increase a rider's (or passenger's) visibility to other operators of road vehicles. Although full protection is not possible, wearing correct protective clothing can reduce the risk of injury when riding.

Warning

A helmet is one of the most important pieces of riding gear as it offers protection against head injuries. You and your passenger's helmet should be carefully chosen and should fit you or your passenger's head comfortably and securely. A brightly coloured helmet will increase a rider's (or passenger's) visibility to other operators of road vehicles.

An open face helmet offers some protection in an accident though a full face helmet will offer more.

Always wear a visor or approved goggles to help vision and to protect your eyes.



cbma

Parking

Warning

Always turn off the engine and remove the ignition key before leaving the motorcycle unattended. By removing the key, the risk of use of the motorcycle by unauthorised or untrained persons is reduced.

When parking the motorcycle, always remember the following:

Engage first gear to help prevent the motorcycle from rolling off the stand.

The engine and exhaust system will be hot after riding. DO NOT park where pedestrians, animals and/or children are likely to touch the motorcycle.

Do not park on soft ground or on a steeply inclined surface. Parking under these conditions may cause the motorcycle to fall over.

For further details, please refer to the 'How to Ride the Motorcycle' section of this owner's handbook.

Foreword - Safety First

Parts and Accessories

Warning

Owners should be aware that the only approved parts, accessories and conversions for any Triumph motorcycle are those which carry official Triumph approval and are fitted to the motorcycle by an authorised dealer.

In particular, it is extremely hazardous to fit or replace parts or accessories whose fitting requires the dismantling of, or addition to, either the electrical or fuel systems and any such modification could cause a safety hazard.

The fitting of any non-approved parts, accessories or conversions may adversely affect the handling, stability or other aspect of the motorcycle operation that may result in an accident causing injury or death.

Triumph does not accept any liability whatsoever for defects caused by the fitting of non-approved parts, accessories or conversions or the fitting of any approved parts, accessories or conversions by non-approved personnel.

Maintenance/Equipment

Warning

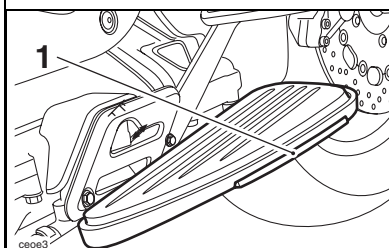
Consult your authorised Triumph dealer whenever there is doubt as to the correct or safe operation of this Triumph motorcycle.

Remember that continued operation of an incorrectly performing motorcycle may aggravate a fault and may also prejudice safety.

Warning

When banking and the bank angle indicator, attached to the rider's footboard, makes contact with the ground, the motorcycle is nearing its bank angle limit. A further increase of the banking angle is unsafe.

Banking to an unsafe angle may cause instability, loss of motorcycle control and an accident.



1. Bank angle indicator

Foreword - Safety First

Warning

Ensure all equipment that is required by law is installed and functioning correctly. The removal or alteration of the motorcycle's lights, silencers, emission or noise control systems can violate the law. Incorrect or improper modification may adversely affect the handling, stability or other aspect of the motorcycle operation, which may result in an accident causing injury or death.

Warning

If the motorcycle is involved in an accident, collision or fall, it must be taken to an authorised Triumph dealer for inspection and repair. Any accident can cause damage to the motorcycle that, if not correctly repaired, may cause a second accident that may result in injury or death.

Riding

Warning

Never ride the motorcycle when fatigued or under the influence of alcohol or other drugs.

Riding when under the influence of alcohol or other drugs is illegal.

Riding when fatigued or under the influence of alcohol or other drugs reduces the rider's ability to maintain control of the motorcycle and may lead to loss of control and an accident.

Warning

All riders must be licenced to operate the motorcycle. Operation of the motorcycle without a licence is illegal and could lead to prosecution.

Operation of the motorcycle without formal training in the correct riding techniques that are necessary to become licenced is dangerous and may lead to loss of motorcycle control and an accident.

Warning

Always ride defensively and wear the protective equipment mentioned elsewhere in this foreword. Remember, in an accident, a motorcycle does not give the same impact protection as a car.

Foreword - Safety First

Warning

This Triumph motorcycle should be operated within the legal speed limits for the particular road travelled. Operating a motorcycle at high speeds can be potentially dangerous since the time available to react to given traffic situations is greatly reduced as road speed increases. Always reduce speed in potentially hazardous driving conditions such as bad weather or heavy traffic.

Warning

Continually observe and react to changes in road surface, traffic and wind conditions. All two-wheeled vehicles are subject to external forces which may cause an accident. These forces include but are not limited to:

- Wind draft from passing vehicles;
- Potholes, uneven or damaged road surfaces;
- Bad weather;
- Rider error.

Always operate the motorcycle at moderate speed and away from heavy traffic until you have become thoroughly familiar with its handling and operating characteristics. Never exceed the legal speed limit.

Handlebars and Footrests

Warning

The rider must maintain control of the vehicle by keeping hands on the handlebars at all times.

The handling and stability of a motorcycle will be adversely affected if the rider removes his hands from the handlebars, resulting in loss of motorcycle control and an accident.

Warning

The rider and passenger must always use the footrests provided, during operation of the vehicle.

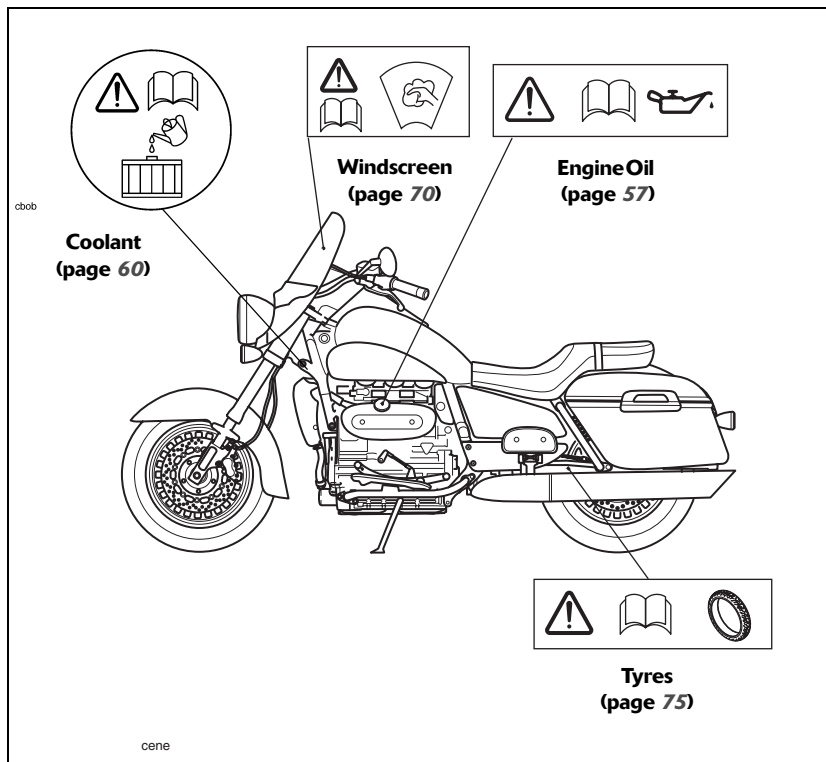
By using the footrests, both rider and passenger will reduce the risk of inadvertent contact with any motorcycle components and will also reduce the risk of injury from entrapment of clothing.

Warning Labels

WARNING LABELS

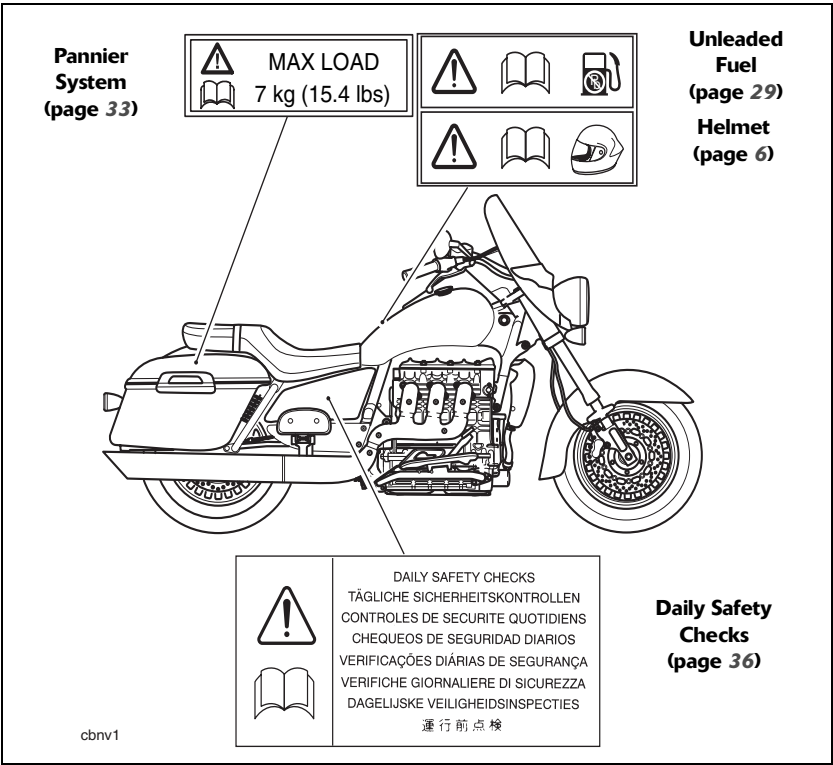
Warning Label Locations – Rocket III Touring

The labels detailed on this and the following pages draw your attention to important safety information in this handbook. Before riding, ensure that all riders have understood and complied with all the information to which these labels relate.



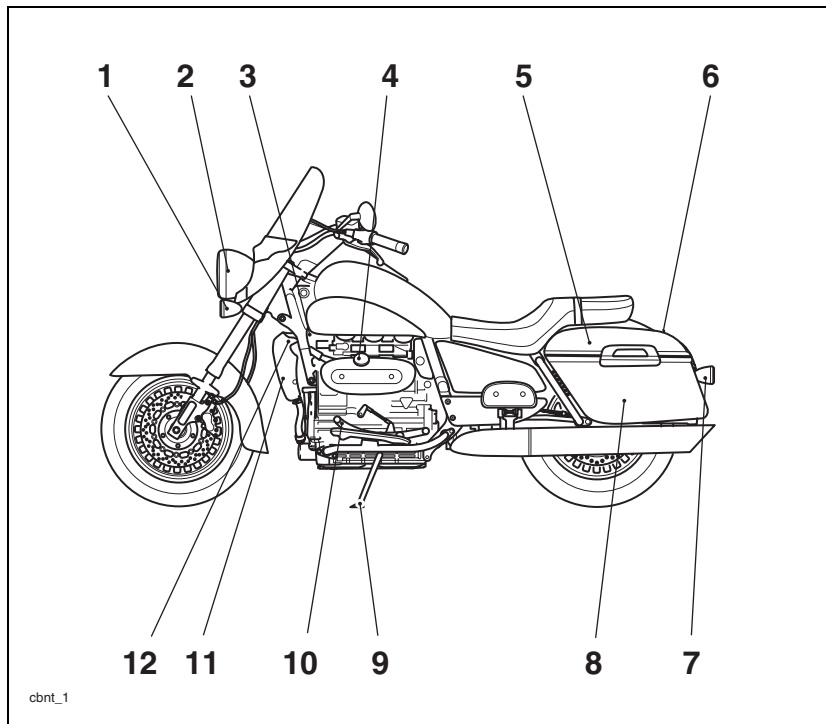
Warning Labels

Warning Label Locations – Rocket III Touring (continued)



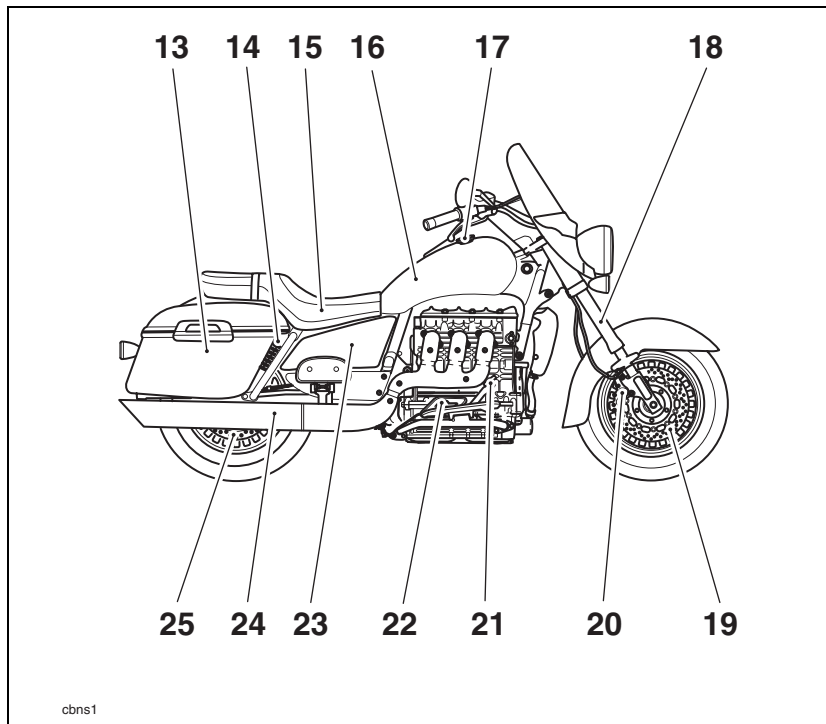
Parts Identification

PARTS IDENTIFICATION



- | | |
|------------------------------------|--------------------------|
| 1. Front indicator | 8. Left hand pannier |
| 2. Headlight | 9. Side stand |
| 3. Coolant expansion tank | 10. Gear change pedal |
| 4. Oil filler cap/Dipstick | 11. Radiator |
| 5. Tool kit (in left hand pannier) | 12. Coolant pressure cap |
| 6. Rear light | |
| 7. Rear indicator | |

Parts Identification



13. Right hand pannier

14. Rear suspension unit

15. Battery (beneath seat)

16. Fuel tank

17. Fuel filler cap

18. Front fork

19. Front brake disc

20. Front brake caliper

21. Rear brake pedal

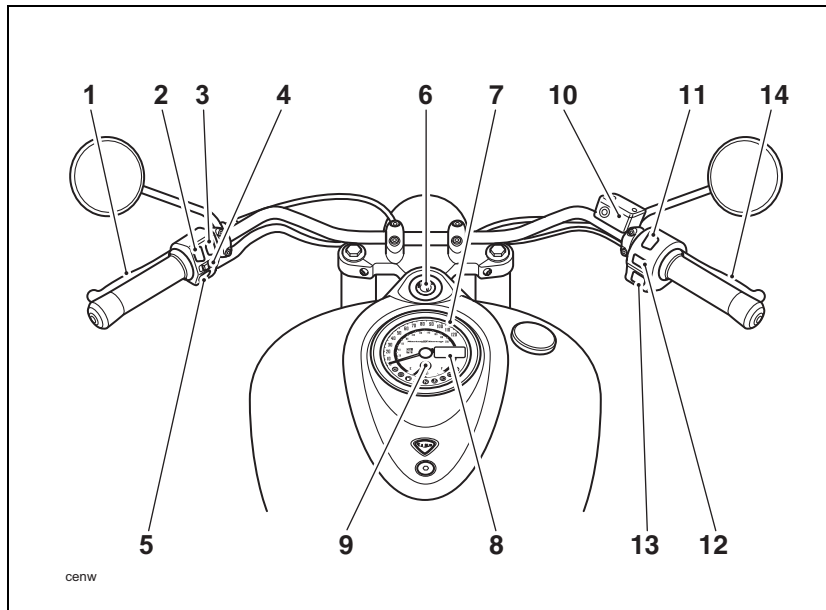
22. Rear brake fluid reservoir

23. Engine management ECM (beneath right hand side panel)

24. Silencer

25. Rear brake disc

Parts Identification

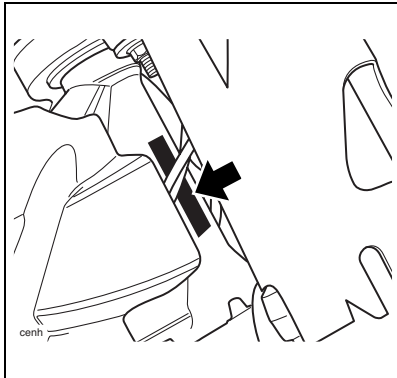


- | | |
|--|---------------------------------|
| 1. Clutch lever | 9. Fuel gauge |
| 2. Headlight dipswitch | 10. Front brake fluid reservoir |
| 3. Fog lamp switch (if equipped) | 11. Engine stop switch |
| 4. Indicator switch | 12. Scroll button |
| 5. Horn switch | 13. Starter button |
| 6. Ignition switch | 14. Front brake lever |
| 7. Speedometer | |
| 8. Odometer/Trip meters/Clock/Range to empty | |

SERIAL NUMBERS

Vehicle Identification Number (VIN)

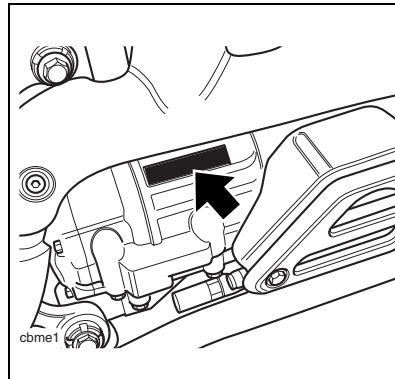
The vehicle identification number is stamped into the steering head area of the frame. It is also displayed on a plate, riveted to the frame, behind the right hand side panel.



Record the vehicle identification number in the space below.

Engine Serial Number

The engine serial number is stamped on the engine crankcase, towards the rear, on the right hand side.



Record the engine serial number in the space provided below.

Serial Numbers

This page intentionally left blank

GENERAL INFORMATION

Table of Contents

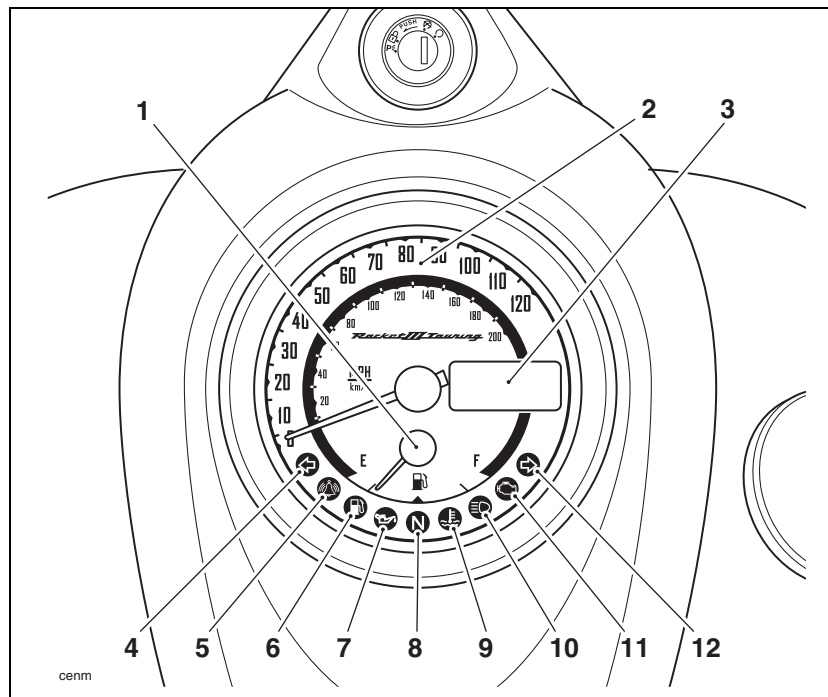
| | |
|--|----|
| Instrument Panel Layout | 19 |
| Speedometer | 20 |
| Fuel Gauge | 20 |
| Odometer/Trip Meter/Clock/Range to Empty | 20 |
| Trip Meter Reset | 21 |
| Range to Empty | 21 |
| Clock Adjustment | 21 |
| Warning Lights | 22 |
| Ignition Key | 23 |
| Ignition Switch/Steering Lock | 24 |
| Ignition Switch Positions | 24 |
| Right Handlebar Switches | 25 |
| Engine Stop Switch | 25 |
| Starter Button | 26 |
| Left Handlebar Switches | 26 |
| Headlight Dip Switch | 26 |
| Direction Indicator Switch | 27 |
| Horn Button | 27 |
| Fuel Requirement/Refuelling | 27 |
| Fuel Grade | 27 |
| Fuel Tank Cap | 28 |
| Filling the Fuel Tank | 29 |
| Stand | 30 |
| Side Stand | 30 |
| Tool Kit and Handbook | 30 |
| Seat Retainers | 31 |
| Seat Care | 31 |
| Windscreen | 32 |
| To remove the windscreen | 32 |

General Information

| | |
|---------------------------------|----|
| To install the windscreen | 32 |
| Pannier System | 33 |
| To remove the panniers | 33 |
| To install the panniers | 33 |
| Running-In | 35 |
| Safe Operation | 36 |
| Daily Safety Checks | 36 |

General Information

Instrument Panel Layout



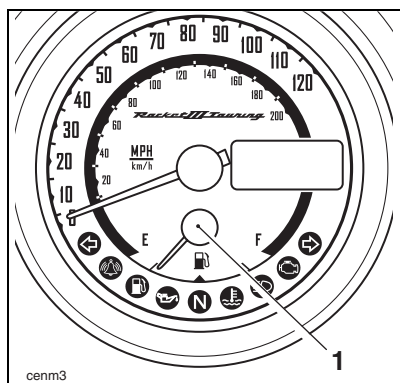
1. Fuel gauge
2. Speedometer
3. Odometer/Trip meters/Clock/Range to empty
4. Left turn indicator light
5. Alarm status indicator light (alarm is an accessory fit)
6. Low fuel level indicator light
7. Low oil pressure warning light
8. Neutral indicator light
9. High coolant temperature warning light
10. High beam indicator light
11. Engine management malfunction indicator light
12. Right turn indicator light

General Information

Speedometer

The speedometer indicates the road speed of the motorcycle.

Fuel Gauge



1. Fuel gauge

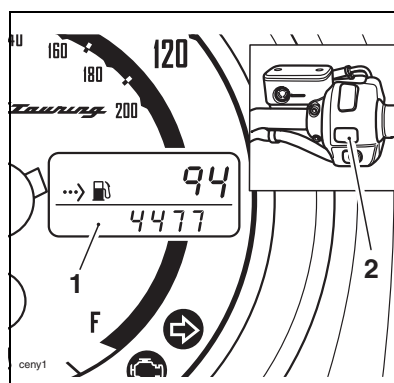
The fuel gauge indicates the amount of fuel in the tank.

When there are approximately 5.0 litres of fuel remaining in the tank, the low fuel indicator will illuminate (see page 23).

After refuelling, the fuel gauge and range to empty information will be updated only while riding the motorcycle.

Depending on the riding style, this could take up to 5 minutes.

Odometer/Trip Meter/Clock/Range to Empty



1. Odometer/Trip meter display/Clock/Range to empty

2. Scroll button

The odometer shows the total distance that the motorcycle has travelled.

There are two trip meters. Either trip meter shows the distance that the motorcycle has travelled since the meter on display was last reset to zero.

Warning

Do not attempt to switch between the trip meter display modes or reset the trip meter with the motorcycle in motion as this may lead to loss of motorcycle control and an accident.

General Information

To switch between the trip meter, clock and range to empty display modes, press the 'scroll' button repeatedly until the desired display is visible. The display will scroll through in the order:

- Trip meter 1
- Trip meter 2
- Clock
- Range to empty

Trip Meter Reset

To reset either of the trip meters, select and display the trip meter to be zeroed. Then press and hold the 'scroll' button for 4 seconds. After 4 seconds, the trip meter on display will reset to zero.

Range to Empty

This is an indication of the predicted distance that can be travelled on the remaining fuel in the tank.

Clock Adjustment

Warning

Do not attempt to adjust the clock with the motorcycle in motion as this may lead to loss of motorcycle control and an accident.

To reset the clock, select the clock display. Then press and hold the 'scroll' button for 4 seconds, the clock's hour display will start to flash, release the 'scroll' button.

To reset the hour display, ensure the hour display is still flashing then press the 'scroll' button to change the setting. Each individual button press will change the setting by one digit. If the button is held, the display will continuously scroll through in single digit increments.

When the correct hour display is shown, release the 'scroll' button for 4 seconds. The minutes display will begin to flash. The minutes display is adjusted in the same way as for the hour display.

Once both hours and minutes are correctly set, release the 'scroll' button for 4 seconds and the display will cease to flash.

General Information

Warning Lights

Low Oil Pressure



With the engine running, if the engine oil pressure becomes dangerously low, the low oil pressure warning light will illuminate.

Caution

Stop the engine immediately if the low oil pressure warning light illuminates. Do not restart the engine until the fault has been rectified.

Severe engine damage will result from running the engine when the low oil pressure warning light is illuminated.

Coolant Temperature



If the coolant temperature becomes too high, the high coolant temperature warning light will illuminate.

Caution

Do not continue to run the engine if the high coolant temperature warning is illuminated as severe engine damage may result.

Engine Management System Malfunction Indicator Light



The malfunction indicator light for the engine management system illuminates when the ignition is switched on (to indicate that it is working) but should not become illuminated when the engine is running.

If the malfunction indicator light becomes illuminated when the engine is running, this indicates that a fault has occurred in one or more of the systems controlled by the engine management system. In such circumstances, the engine management system will switch to 'limp-home' mode so that the journey may be completed, if the fault is not so severe that the engine will not run.

Warning

Reduce speed and do not continue to ride for longer than is necessary with the malfunction indicator light illuminated. The fault may adversely affect engine performance, exhaust emissions and fuel consumption. Reduced engine performance could cause a dangerous riding condition, leading to loss of control and an accident. Contact an authorised Triumph dealer as soon as possible to have the fault checked and rectified.

Direction Indicators



When the indicator switch is turned to left or right, the corresponding direction indicator light will flash on and off at the same speed as the direction indicators.


High Beam




When the ignition is switched on and the headlight dip switch is set to 'high beam', the high beam warning light will illuminate.

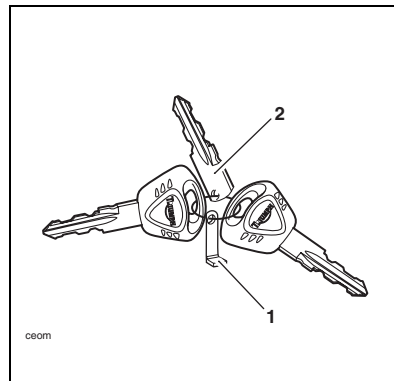
General Information

N Neutral
The neutral warning light indicates when the transmission is in neutral (no gear selected). The warning light will illuminate when the transmission is in neutral with the ignition switch in the ON position.

 **Low Fuel**
The low fuel indicator will illuminate when there are approximately 5.0 litres of fuel remaining in the tank. When the low fuel indicator illuminates, the odometer/trip meter display/clock/range to empty display will automatically change to show the range to empty information. To change back to the original display, press the 'scroll' button repeatedly until the desired display is visible.

 **Alarm**
The alarm light will illuminate when the conditions described in the accessory alarm instructions are met.

Ignition Key



1. Key number tag
2. Third key for alarm system

In addition to operating the steering lock/ignition switch, the ignition key is required to operate the pannier locks.

When the motorcycle is delivered from the factory, two ignition keys are supplied together with a small tag bearing the key number. Make a note of the key number and store the spare key and key number tag in a safe place away from the motorcycle. There is also a third key that does not have a fob. This is for the accessory alarm system.

General Information

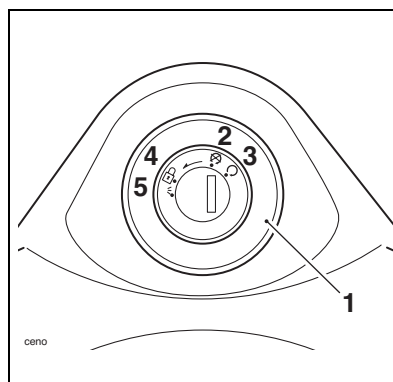
Also supplied are locks for use with the accessory windscreen lock and passenger backrest lock. When fitted these locks will operate with the ignition key.

Your authorised Triumph dealer can supply a replacement key cut from details of the key number or can cut a new key using the original as a master.

Caution

Do not store the spare keys with the motorcycle as this will reduce all aspects of security.

Ignition Switch/Steering Lock



1. **Steering lock**
2. **OFF position**
3. **ON position**
4. **LOCK position**
5. **PARK position**

Ignition Switch Positions

This is a four position, key operated switch. The key can be removed from the switch only when it is in the OFF, LOCK or P (PARK) position.

TO LOCK: Turn the key to the OFF position. Turn the steering to the left, push and fully release the key, then rotate it to the LOCK position.

PARKING: Turn the key from the LOCK position to the P position. The steering will remain locked, the tail, licence and position lights will turn on.

Note:

- **Do not leave the steering lock in the P position for long periods of time as this will cause the battery to discharge.**

General Information

Warning

For reasons of security and safety, always move the ignition switch to the LOCK or P position and remove the key, when leaving the motorcycle unattended.

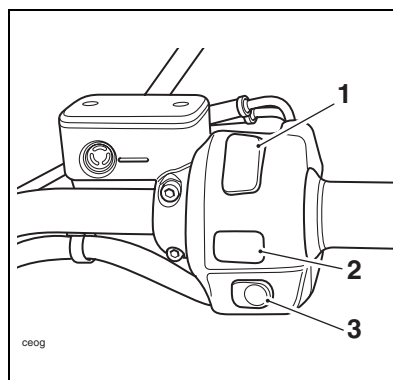
Any unauthorised use of the motorcycle may cause injury to the rider, other road users and pedestrians and may also cause damage to the motorcycle.

Warning

With the key in the LOCK or P position the steering will become locked.

Never turn the key to the LOCK or P positions while the motorcycle is moving as this might cause the steering to lock. Locked steering will cause loss of motorcycle control and an accident.

Right Handlebar Switches



1. Engine stop switch

2. Scroll button

3. Starter button

Engine Stop Switch

In addition to the ignition switch being turned to the ON position, the engine stop switch must be in the RUN position for the motorcycle to operate.

The engine stop switch is for emergency use. If an emergency arises which requires the engine to be stopped, move the engine stop switch to the STOP position.

Note:

- **Although the engine stop switch stops the engine, it does not turn off all the electrical circuits and may cause difficulty in restarting the engine due to a discharged battery. Ordinarily, only the ignition switch should be used to stop the engine.**

General Information

Caution

Do not leave the ignition switch in the ON position unless the engine is running as this may cause damage to electrical components and will discharge the battery.

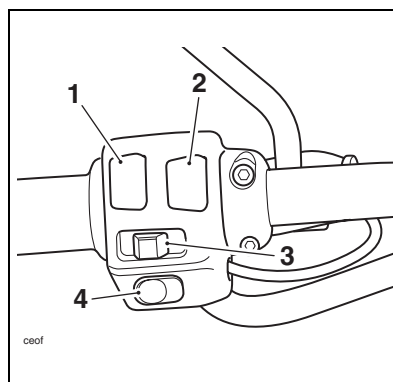
Starter Button

The starter button operates the electric starter. For the starter to operate, the clutch lever must be pulled to the handlebar.

Note:

- **Even if the clutch lever is pulled to the handlebar, the starter will not operate if the side stand is down and a gear is engaged.**

Left Handlebar Switches



1. Headlight dip switch
2. Fog light switch (if equipped)
3. Direction indicator switch
4. Horn button

Headlight Dip Switch

High or low beam can be selected with the headlight dip switch. To select high beam, push the switch forward. To select low beam, push the switch rearwards. When the high beam is turned on, the high beam indicator light will illuminate.

Note:

- **A lighting on/off switch is not fitted to this model. The headlight, rear light and licence plate light all function automatically when the ignition is turned to the ON position.**

General Information

Direction Indicator Switch

Note:

- **This motorcycle is equipped with an indicator self cancel system. The system becomes active eight seconds after operating a direction indicator.**

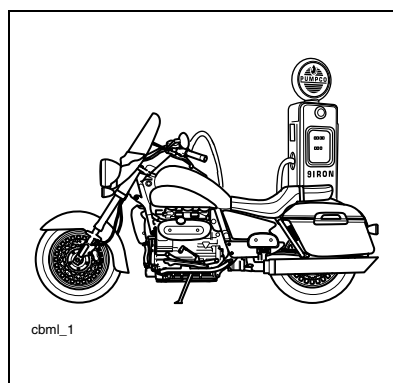
When the indicator switch is pushed to the left or right and released, the corresponding direction indicators will flash on and off.

The indicator self cancel system becomes active eight seconds after operating a direction indicator. Eight seconds after turning the direction indicator on and when the motorcycle has travelled a further 65 metres, the indicator self cancel system will automatically turn off the indicators. The indicators can be cancelled manually. To manually turn off the indicators, press and release the indicator switch in the central position.

Horn Button

When the horn button is pushed, with the ignition switch turned to the ON position, the horn will sound.

Fuel Requirement/Refuelling



Fuel Grade

Your Triumph engine is designed to use unleaded fuel and will give optimum performance if the correct grade of fuel is used. Always use unleaded fuel with a minimum octane rating of 91 RON.

Caution

In many countries, the exhaust system for this model is fitted with a catalytic converter to help reduce exhaust emission levels. The catalytic converter can be permanently damaged if the motorcycle is allowed to run out of fuel or if the fuel level is allowed to get very low. Always ensure you have adequate fuel for your journey.

General Information

Caution

The use of leaded fuel is illegal in some countries, states or territories. Use of leaded fuel will damage the catalytic converter (if fitted).

Warning

To help reduce hazards associated with refuelling, always observe the following fuel safety instructions:

Petrol (fuel) is highly flammable and can be explosive under certain conditions. When refuelling, turn the ignition switch to the OFF position.

Do not smoke.

Do not use a mobile telephone.

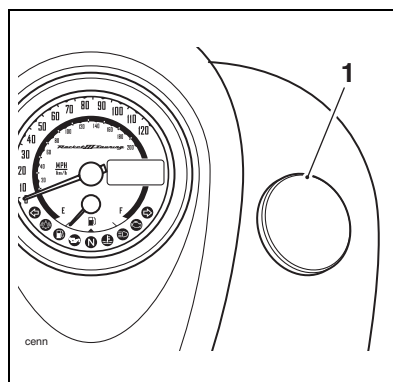
Make sure the refuelling area is well ventilated and free from any source of flame or sparks. This includes any appliance with a pilot light.

Never fill the tank until the fuel level rises into the filler neck. Heat from sunlight or other sources may cause the fuel to expand and overflow creating a fire hazard.

After refuelling always check that the fuel filler cap is correctly closed.

Because petrol (fuel) is highly flammable, any fuel leak or spillage, or any failure to observe the safety advice given above will lead to a fire hazard, which could cause damage to property, injury to persons or death.

Fuel Tank Cap



1. Fuel tank cap

To open the fuel tank cap, rotate the cap anti-clockwise and lift clear of the tank filler neck.

To close the cap, align the cap to the tank filler neck and rotate the cap clockwise until the cap seals against the filler neck. In the fully closed position, a ratchet mechanism prevents over-tightening of the cap by allowing the outer part of the cap to turn independently of the internal part.

General Information

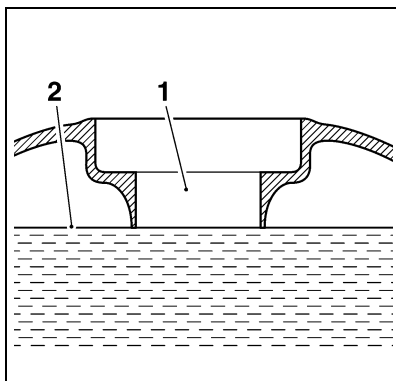
Filling the Fuel Tank

Avoid filling the tank in rainy or dusty conditions where airborne material can contaminate the fuel.

Caution

Contaminated fuel may cause damage to fuel system components.

Fill the fuel tank slowly to help prevent spillage. Do not fill the tank to a level above the bottom of the filler neck. This will ensure there is enough air space to allow for fuel expansion if the fuel inside the tank expands through absorption of heat from the engine or from direct sunlight.



1. Fuel filler neck
2. Maximum fuel level

After refuelling always check that the fuel filler cap is correctly closed and locked.

Warning

Overfilling the tank can lead to fuel spillage.

If fuel is spilled, thoroughly clean up the spillage immediately and dispose of the materials used safely.

Take care not to spill any fuel on the engine, exhaust pipes, tyres or any other part of the motorcycle.

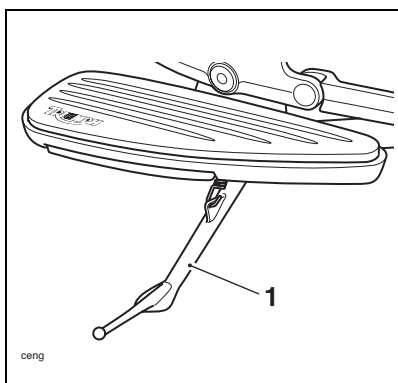
Because fuel is highly flammable, any fuel leak or spillage, or any failure to observe the safety advice given above may lead to a fire hazard, which could cause damage to property and injury or death to persons.

Fuel spilled near to, or onto the tyres will reduce the tyre's ability to grip the road. This will result in a dangerous riding condition potentially causing loss of motorcycle control and an accident.

General Information

Stand

Side Stand



1. Side stand

The motorcycle is equipped with a side stand on which the motorcycle can be parked.

Warning

The motorcycle is fitted with an interlock system to prevent it from being ridden with the side stand in the down position.

Never attempt to ride with the side stand down or interfere with the interlock mechanism as this will cause a dangerous riding condition leading to loss of motorcycle control and an accident.

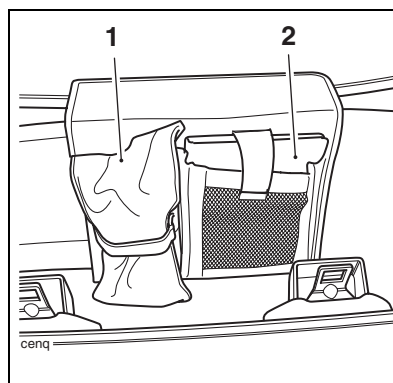
Note:

- **When using the side stand, always turn the handlebars fully to the left and leave the motorcycle in first gear.**

Whenever the side stand is used before riding, always ensure that the stand is fully up after first sitting on the motorcycle.

For instructions on safe parking, refer to the 'How to Ride the Motorcycle' section.

Tool Kit and Handbook



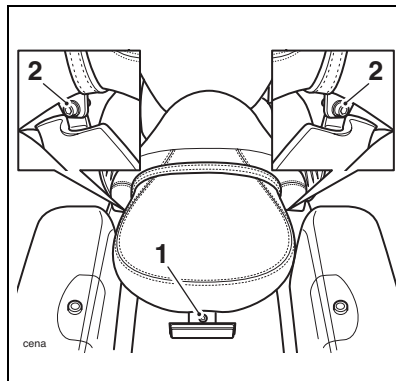
1. Tool kit

2. Handbook

The tool kit and handbook are located in a dedicated pouch in the left hand pannier.

General Information

Seat Retainers



1. Rear fixing and reflector

2. Side fixings

To remove the seat, remove the rear fixing, with the reflector, and the two side fixings. Lift the seat up at the back for complete removal from the motorcycle.

Seat Care

To prevent damage to the seat or seat cover, care must be taken not to drop or lean the seat against any surface which may damage the seat or seat cover.

⚠ Caution

To prevent damage to the seat or seat cover, care must be taken not to drop the seat. Do not lean the seat against the motorcycle or any surface which may damage the seat or seat cover. Instead, place the seat, with the seat cover facing upwards, on a clean, flat surface which is covered with a soft cloth.

Do not place any item on the seat which may cause damage or staining to the seat cover.

To refit the seat, engage the seat's tongue under the fuel tank, fit and tighten the side fixings to **15 Nm**.

Fit the rear fixing, with the reflector, and tighten to **9 Nm**.

⚠ Warning

To prevent detachment of the seat during riding, after fitting always grasp the seat and pull firmly upwards. A loose or detached seat could cause loss of motorcycle control and an accident.

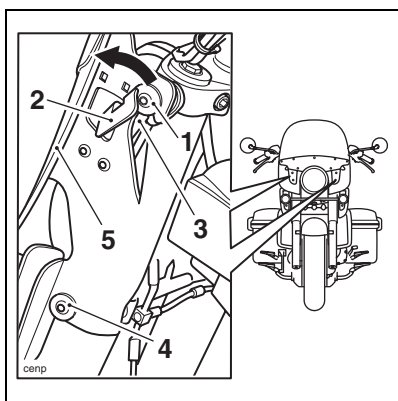
General Information

Windscreen

Note:

- **The windscreen fitted to this motorcycle can be removed without the use of tools.**

To remove the windscreen



1. Upper mounting
2. Lock handle
3. Lock
4. Lower mounting
5. Windscreen

To remove the windscreen, stand astride the front wheel. Pull the lock handles towards the windscreen to release the locks from the upper mountings. For complete removal from the motorcycle, lift the windscreen up until it is released from the upper and lower mountings.

To install the windscreen

To install the windscreen, carefully slide the lower part of the windscreen behind the indicators. Align the windscreen mounting slots to the upper and lower mounting points on the forks.

Note:

- **Audible clicks can be heard when the locks are engaged.**

Slide the windscreen down until the upper mounting locks have clicked into the locked position.

Ensure both upper mount locks are locked and the windscreen is secure.

Warning

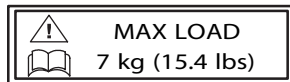
To prevent detachment of the windscreen during riding, after fitting, always grasp the windscreen and pull firmly upwards. If the windscreen locks are not correctly secured the windscreen will detach from the locks. A loose or detached windscreen could cause loss of motorcycle control and an accident.

Warning

After fitting or removing the windscreen, operate the motorcycle in a safe area free from traffic to gain familiarity with the new handling characteristics. Operation when not familiar with the new characteristics of the motorcycle may result in loss of control and an accident.

General Information

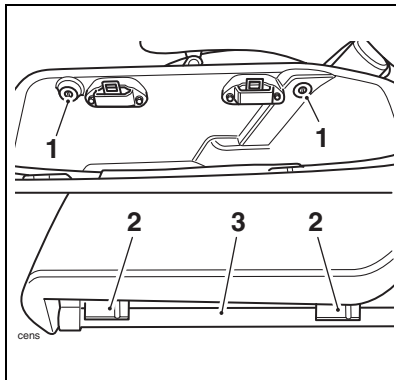
Pannier System



To remove the panniers

Note:

- The same procedure can be followed to remove and mount the left hand or the right hand pannier.



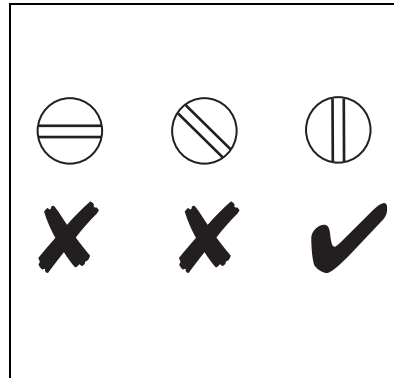
1. Quick release fixings
2. Pannier lower mountings
3. Pannier rail

To remove the pannier from the pannier rail, open the lid of the pannier and turn the two quick release fixings 90° anti-clockwise. Lift the pannier free from the pannier rail.

To install the panniers

Position the pannier against the pannier rail. Ensure that the pannier lower mountings are correctly aligned with the pannier rail and the quick release fixings are correctly located into the pannier rail.

Lock the pannier to the rail by turning the two quick release fixings 90° clockwise. The slots in the fixings must be vertically aligned to ensure that they are locked.



Pannier Quick Release Fixings
Correctly Locked

Warning

Always ensure the panniers are secure and the quick release fixings are locked. A loose or detached pannier could cause loss of motorcycle control and an accident.

General Information

Warning

Always ensure the pannier lids are securely closed on both latches. An open pannier lid may cause the motorcycle to become unstable leading to loss of control and an accident.

Warning

The maximum safe load for each pannier is 7 kg (15.4 lbs). Never exceed this loading limit as this may cause the motorcycle to become unstable leading to loss of control and an accident.

Warning

Incorrect loading may result in an unsafe riding condition leading to an accident.

Always ensure any loads carried are evenly distributed on both sides of the motorcycle. Ensure that the load is correctly secured such that it will not move around while the motorcycle is in motion.

Always check the load security regularly (though not while the motorcycle is in motion) and ensure that the load does not extend beyond the rear of the motorcycle. Never exceed the maximum vehicle loading weight of 220 kg.

This maximum loading weight is made up from the combined weight of the rider, passenger, any accessories fitted and any load carried in the panniers.

Warning

After fitting or removing the panniers, operate the motorcycle in a safe area free from traffic to gain familiarity with the new handling characteristics. Operation when not familiar with the new characteristics of the motorcycle may result in loss of control and an accident.

Warning

Never ride an accessory equipped motorcycle, or a motorcycle carrying a payload of any kind, at speeds above 80 mph (130 km/h).

In either/both of these conditions, speeds in excess of 80 mph (130 km/h) should not be attempted even where the legal speed limit permits this.

The presence of accessories and/or payload will cause changes in the stability and handling of the motorcycle.

Failure to allow for changes in motorcycle stability may lead to loss of control or an accident.

Remember that the 80 mph (130 km/h) absolute limit will be reduced by the fitting of non-approved accessories, incorrect loading, worn tyres, overall motorcycle condition and poor road or weather conditions.

Warning

This motorcycle must not be operated above the legal road speed limit except in authorised closed-course conditions.

General Information

Warning

Only operate this Triumph motorcycle at high speed in closed-course on-road competition or on closed-course racetracks. High-speed operation should only be attempted by riders who have been instructed in the techniques necessary for high-speed riding and are familiar with the motorcycle's characteristics in all conditions.

High-speed operation in any other circumstances is dangerous and will lead to loss of motorcycle control and an accident.

Running-In

Running-in is the name given to the process that occurs during the first hours of a new vehicle's operation.

In particular, internal friction in the engine will be higher when components are new. Later on, when continued operation of the engine has ensured that the components have 'bedded in', this internal friction will be greatly reduced.

A period of careful running-in will ensure lower exhaust emissions, and will optimise performance, fuel economy and longevity of the engine and other motorcycle components.

During the first 500 miles (800 kms):

- Do not use full throttle.
- Avoid high engine speeds at all times.
- Avoid riding at one constant engine speed, whether fast or slow, for a long period of time.
- Avoid aggressive starts, stops, and rapid accelerations, except in an emergency.
- Do not ride at speeds greater than 3/4 of maximum speed.

From 500 to 1000 miles (800 to 1500 kms):

- Engine speed can gradually be increased to the rev limit for short periods.

Both during and after running in has been completed:

- Do not over-rev the engine when cold.
- Do not let the engine labour. Always downshift before the engine begins to 'struggle'.
- Do not ride with engine speeds unnecessarily high. Changing up a gear helps reduce fuel consumption, reduces noise and helps to protect the environment.

General Information


Safe Operation



Daily Safety Checks

Check the following items each day before you ride. The time required is minimal, and these checks will help ensure a safe, reliable ride.

If any irregularities are found during these checks, refer to the Maintenance and Adjustment section or see your authorised Triumph dealer for the action required to return the motorcycle to a safe operating condition.

| |
|---|
|  Warning |
| Failure to perform these checks every day before you ride may result in serious motorcycle damage or an accident causing serious injury or death. |

Check:

Fuel: Adequate supply in tank, no fuel leaks (page 27).

Engine Oil: Correct level on dipstick. Add correct specification oil as required. No leaks from the engine, oil tank or oil cooler (page 57).

Final Drive: No oil leaks (page 74).

Tyres/Wheels: Correct inflation pressures (when cold). Tread depth/wear, tyre/wheel damage, punctures etc. (page 75).

Nuts, Bolts, Fasteners: Visually check that steering and suspension components, axles,

and all controls are properly tightened or fastened. Inspect all areas for loose/damaged fixings.

Steering Action: Smooth but not loose from lock to lock. No binding of any of the control cables (page 71).

Brakes: Pull the brake lever and push the brake pedal to check for correct resistance. Investigate any lever/pedal where the travel is excessive before meeting resistance, or if either control feels spongy in operation (page 67).

Brake Pads: There should be more than 1.5 mm of friction material remaining on all the pads (page 68).

Brake Fluid Levels: No brake fluid leakage. Brake fluid levels must be between the MAX and MIN marks on both reservoirs (page 69).

Front Forks: Smooth action. No leaks from fork seals (page 73).

Throttle: Throttle grip free play 2 - 3 mm. Ensure that the throttle grip returns to the idle position without sticking (page 64).

Clutch: Smooth operation and correct cable free play (page 66).

Coolant: No coolant leakage. Check the coolant level in the expansion tank (when the engine is cold) (page 61).

Electrical Equipment: All lights and horn function correctly (page 25).

Engine Stop: Stop switch turns the engine off (page 38).

Stands: Return to the fully up position by spring tension. Return springs not weak or damaged (page 30).

How to Ride the Motorcycle

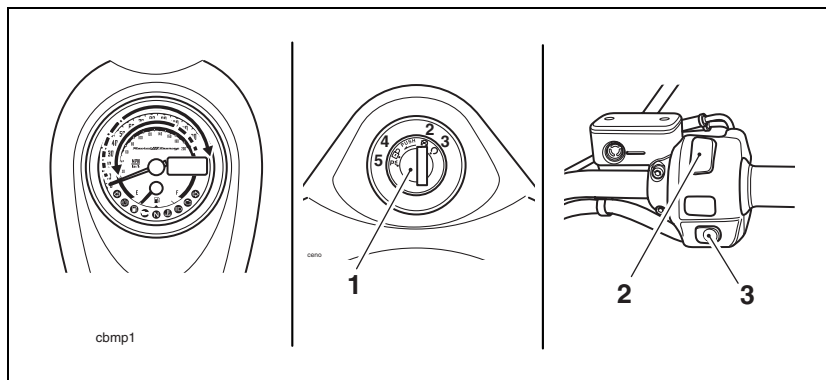
HOW TO RIDE THE MOTORCYCLE

Table of Contents

| | |
|--|----|
| To Stop the Engine..... | 38 |
| To Start the Engine..... | 39 |
| Moving Off..... | 40 |
| Changing Gears..... | 40 |
| Braking..... | 41 |
| Parking..... | 43 |
| Considerations for High-Speed Operation..... | 44 |
| General..... | 44 |
| Steering..... | 44 |
| Luggage..... | 44 |
| Brakes..... | 44 |
| Tyres..... | 45 |
| Fuel..... | 45 |
| Engine Oil..... | 45 |
| Final Drive Oil..... | 45 |
| Coolant..... | 45 |
| Electrical Equipment..... | 45 |
| Miscellaneous..... | 45 |

How to Ride the Motorcycle

To Stop the Engine



1. Ignition switch
2. Engine stop switch
3. Starter button

Note:

- **When using the side stand, always turn the handlebars fully to the left and leave the motorcycle in first gear.**

Support the motorcycle on a firm, level surface with the side stand.

Close the throttle completely.

Select neutral.

Turn the ignition switch off.

If parking:

Lock the steering.

Remove the key.

Engage first gear.

For instructions on safe parking, (see page 43).

Caution

The engine should normally be stopped by turning the ignition switch to the OFF position. The engine stop switch is for emergency use only. Do not leave the ignition switched on with the engine stopped. Electrical damage may result.

How to Ride the Motorcycle

To Start the Engine

Check that the engine stop switch is in the RUN position.

Ensure the transmission is in neutral.

Turn the ignition switch on.

Note:

- **When the ignition is switched on, the instrument warning lights will illuminate and will then go off (except those which normally remain on until the engine starts – see 'Warning Lights' on page 22).**

Pull the clutch lever fully into the handlebar.

Leaving the throttle fully closed, push the starter button until the engine starts.

Warning

Never start the engine or run the engine in a confined area. Exhaust fumes are poisonous and can cause loss of consciousness and death within a short period of time. Always operate your motorcycle in the open-air or in an area with adequate ventilation.

Caution

Do not operate the starter continuously for more than 5 seconds as the starter motor will overheat and the battery will become discharged. Wait 15 seconds between each operation of the starter to allow for cooling and recovery of battery power.

Do not let the engine idle for long periods as this may lead to overheating which will cause damage to the engine.

Caution

The low oil pressure warning light should go out shortly after the engine starts.

If the low oil pressure warning light stays on after starting the engine, stop the engine immediately and investigate the cause. Running the engine with low oil pressure will cause severe engine damage.

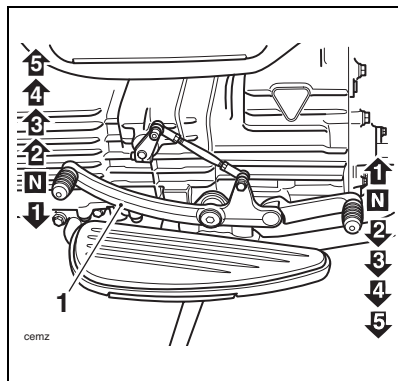
- The motorcycle is equipped with starter lockout switches. The switches prevent the electric starter from operating when the transmission is not in neutral with the sidestand down.
- If the sidestand is extended whilst the engine is running, and the transmission is not in neutral then the engine will stop irrespective of clutch position.

How to Ride the Motorcycle

Moving Off

Pull in the clutch lever and select first gear. Open the throttle a little and let out the clutch lever slowly. As the clutch starts to engage, open the throttle a little more, allowing enough engine speed to avoid stalling.

Changing Gears



1. Gear change lever

Close the throttle while pulling in the clutch lever. Change into the next higher or lower gear. Open the throttle part way, while releasing the clutch lever. Always use the clutch when changing gear.

Warning

Take care to avoid opening the throttle too far or too fast in any of the lower gears as this can lead to the front wheel lifting from the ground (pulling a 'wheelie') and to the rear tyre breaking traction (wheel spin).

Always open the throttle cautiously, particularly if you are unfamiliar with the motorcycle, as a 'wheelie' or loss of traction will cause loss of motorcycle control and an accident.

Note:

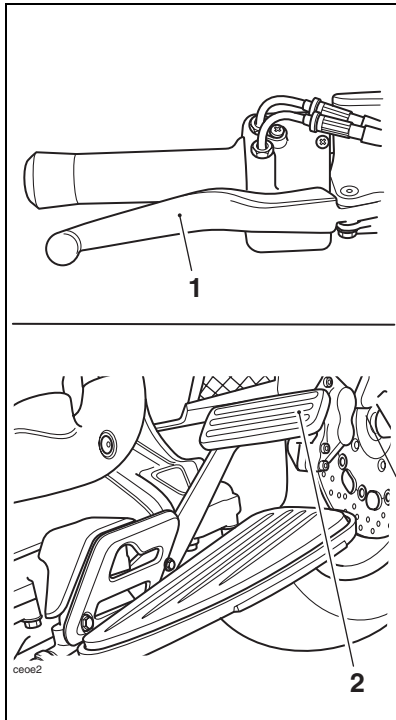
- **The gear change mechanism is the 'positive stop' type. This means that, for each movement of the gear change pedal/lever, you can only select each gear, one after the other, in ascending or descending order.**

Warning

Do not change to a lower gear at speeds that will cause excessive engine rpm (r/min). This can lock the rear wheel causing loss of control and an accident. Engine damage may also be caused. Changing down should be done such that low engine speeds will be ensured.

How to Ride the Motorcycle

Braking



1. Front brake lever
2. Rear brake pedal

Warning

WHEN BRAKING, OBSERVE THE FOLLOWING:

Close the throttle completely, leaving the clutch engaged to allow the engine to help slow down the motorcycle.

Change down one gear at a time such that the transmission is in first gear when the motorcycle comes to a complete stop.

When stopping, always apply both brakes at the same time. Normally the front brake should be applied a little more than the rear.

Change down or fully disengage the clutch as necessary to keep the engine from stalling.

Never lock the brakes, as this may cause loss of control of the motorcycle and an accident.

Warning

For emergency braking, disregard down changing, and concentrate on applying the front and rear brakes as hard as possible without skidding. Riders should practice emergency braking in a traffic-free area.

Triumph strongly recommends that all riders take a course of instruction, which includes advice on safe brake operation. Incorrect brake technique could result in loss of control and an accident.

How to Ride the Motorcycle

Warning

For your safety, always exercise extreme caution when braking, accelerating or turning as any incautious action can cause loss of control and an accident. Independent use of the front or rear brakes reduces overall braking performance. Extreme braking may cause either wheel to lock, reducing control of the motorcycle and causing an accident.

When possible, reduce speed or brake before entering a turn as closing the throttle or braking in mid-turn may cause wheel slip leading to loss of control and an accident.

When riding in wet or rainy conditions, or on loose surfaces, the ability to manoeuvre and stop will be reduced. All of your actions should be smooth under these conditions. Sudden acceleration, braking or turning may cause loss of control and an accident.

Warning

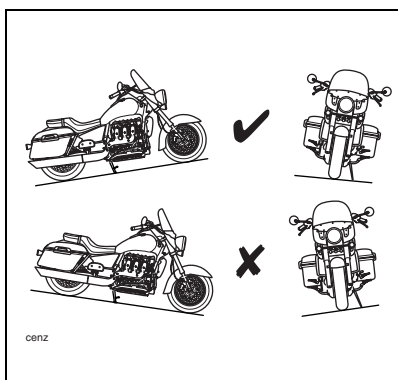
When descending a long steep gradient, use engine braking by down changing and use the brakes intermittently. Continuous brake application can overheat the brakes and reduce their effectiveness.

Riding with your foot on the brake pedal or your hands on the brake lever may actuate the brake light, giving a false indication to other road users. It may also overheat the brake, reducing braking effectiveness.

Do not coast with the engine switched off, and do not tow the motorcycle. The transmission is pressure-lubricated only when the engine is running. Inadequate lubrication may cause damage or seizure of the transmission, which can lead to sudden loss of motorcycle control and an accident.

How to Ride the Motorcycle

Parking



Select neutral and turn the ignition switch to the OFF position.

Lock the steering to help prevent theft.

Always park on a firm, level surface to prevent the motorcycle from falling.

When parking on a hill, always park facing uphill to prevent the motorcycle from rolling off the stand. Engage first gear to prevent the motorcycle from moving.

On a lateral (sideways) incline, always park such that the incline naturally pushes the motorcycle towards the sidestand.

Do not park on a lateral (sideways) incline of greater than 6° and never park facing downhill.

Note:

- **When parking near traffic at night, or when parking in a location where parking lights are required by law, leave the tail, licence plate and position lights on by turning the ignition switch to P (PARK).**

Do not leave the switch in the P position for long periods of time as this will discharge the battery.

Warning

Do not park on a soft or on a steeply inclined surface. Parking under these conditions may cause the motorcycle to fall over causing damage to property and personal injury.

Warning

Petrol is extremely flammable and can be explosive under certain conditions. If parking inside a garage or other structure, be sure it is well ventilated and the motorcycle is not close to any source of flame or sparks. This includes any appliance with a pilot light.

Failure to follow the above advice may cause a fire resulting in damage to property or personal injury.

Warning

The engine and exhaust system will be hot after riding. DO NOT park where pedestrians and children are likely to touch the motorcycle.

Touching any part of the engine or exhaust system when hot may cause unprotected skin to become burnt.

How to Ride the Motorcycle

Considerations for High-Speed Operation

Warning

This Triumph motorcycle should be operated within the legal speed limits for the particular road travelled. Operating a motorcycle at high speeds can be potentially dangerous since the time available to react to given traffic situations is greatly reduced as road speed increases. Always reduce speed in consideration of weather and traffic conditions.

Warning

Only operate this Triumph motorcycle at high speed in closed-course on-road competition or on closed-course racetracks. High-speed operation should only then be attempted by riders who have been instructed in the techniques necessary for high-speed riding and are familiar with the motorcycle's characteristics in all conditions.

High-speed operation in any other circumstances is dangerous and will lead to loss of motorcycle control and an accident.

Warning

The handling characteristics of a motorcycle at high speed may vary from those you are familiar with at legal road speeds. Do not attempt high-speed operation unless you have received sufficient training and have the required skills as a serious accident may result from incorrect operation.

Warning

The items listed are extremely important and must never be neglected. A problem, which may not be noticed at normal operating speeds, may be greatly exaggerated at high speeds.

General

Ensure the motorcycle has been maintained according to the scheduled maintenance chart.

Steering

Check that the handlebar turns smoothly without excessive free play or tight spots. Ensure that the control cables do not restrict the steering in any way.

Luggage

Make certain that any luggage containers are closed, locked and securely fitted to the motorcycle.

Brakes

Check that the front and rear brakes are functioning properly.

How to Ride the Motorcycle

Tyres

High-speed operation is hard on tyres, and tyres that are in good condition are crucial to riding safely. Examine their overall condition, inflate to the correct pressure (when the tyres are cold), and check the wheel balance. Securely fit the valve caps after checking tyre pressures. Observe the information given in the Maintenance and Specification sections on tyre checking and tyre safety.

Fuel

Have sufficient fuel for the increased fuel consumption that will result from high-speed operation.

**Caution**

In many countries, the exhaust system for this model is fitted with a catalytic converter to help reduce exhaust emission levels. The catalytic converter can be permanently damaged if the motorcycle is allowed to run out of fuel or if the fuel level is allowed to get very low. Always ensure you have adequate fuel for your journey.

Engine Oil

Make certain that the engine oil level is correct. Ensure that the correct grade and type of oil is used when topping-up.

Final Drive Oil

Make certain that the final drive oil level is correct. Ensure that the correct grade and type of oil is used when topping-up.

Coolant

Check that the coolant level is at the upper level line in the expansion tank. (Always check the level with the engine cold.)

Electrical Equipment

Make certain that the headlight, rear/brake light, direction indicators, horn etc., all work properly.

Miscellaneous

Visually check that all fixings are tight.

How to Ride the Motorcycle

This page intentionally left blank

Accessories, Loading and Passengers

ACCESSORIES, LOADING AND PASSENGERS

The addition of accessories and carriage of additional weight can affect the motorcycle's handling characteristics causing changes in stability and necessitating a reduction in speed. The following information has been prepared as a guide to the potential hazards of adding accessories to a motorcycle and carrying passengers and additional loads.

Warning

Incorrect loading may result in an unsafe riding condition leading to an accident.

Always ensure any loads carried are evenly distributed on both sides of the motorcycle. Ensure that the load is correctly secured such that it will not move around while the motorcycle is in motion.

Always check the load security regularly (though not while the motorcycle is in motion) and ensure that the load does not extend beyond the rear of the motorcycle.

Never exceed the maximum vehicle loading weight of 220 kg.

This maximum loading weight is made up from the combined weight of the rider, passenger, any accessories fitted and any load carried in the panniers or on the seat.

Warning

Never ride an accessory equipped motorcycle, or a motorcycle carrying a payload of any kind, at speeds above 80 mph (130 km/h).

In either/both of these conditions, speeds in excess of 80 mph (130 km/h) should not be attempted even where the legal speed limit permits this.

The presence of accessories and/or payload will cause changes in the stability and handling of the motorcycle.

Failure to allow for changes in motorcycle stability may lead to loss of control or an accident.

Remember that the 80 mph (130 km/h) absolute limit will be reduced by the fitting of non-approved accessories, incorrect loading, worn tyres, overall motorcycle condition and poor road or weather conditions.

Warning

Do not install accessories or carry luggage that impairs the control of the motorcycle. Make sure that you have not adversely affected visibility of any lighting component, road clearance, banking capability (i.e. lean angle), control operation, wheel travel, front fork movement, visibility in any direction, or any other aspect of the motorcycle's operation.

Warning

This motorcycle must not be operated above the legal road speed limit except in authorised closed-course conditions.

Accessories, Loading and Passengers

Warning

Only operate this Triumph motorcycle at high speed in closed-course on-road competition or on closed-course racetracks. High-speed operation should only then be attempted by riders who have been instructed in the techniques necessary for high-speed riding and are familiar with the motorcycle's characteristics in all conditions.

High-speed operation in any other circumstances is dangerous and will lead to loss of motorcycle control and an accident.

Warning

Do not carry animals on your motorcycle. An animal could make sudden and unpredictable movements that could lead to loss of motorcycle control and an accident.

Warning

The handling and braking capabilities of a motorcycle will be affected by the presence of a passenger. The rider must make allowances for these changes when operating the motorcycle with a passenger and should not attempt such operation unless trained to do so and without becoming familiar and comfortable with the changes in motorcycle operating characteristics that this brings about.

Motorcycle operation without making allowances for the presence of a passenger could lead to loss of motorcycle control and an accident.

Warning

Your passenger should be instructed that he or she can cause loss of motorcycle control by making sudden movements or by adopting an incorrect seated position.

The rider should instruct the passenger as follows:

- It is important that the passenger sits still while the motorcycle is in motion and does not interfere with the operation of the motorcycle.
- To keep his or her feet on the passenger footrests and to firmly hold onto the seat strap or the rider's waist or hips.
- Advise the passenger to lean with the rider when travelling around corners and not to lean unless the rider does so.

Warning

Never attempt to store any items between the frame and the fuel tank. This can restrict the steering and will cause loss of control leading to an accident.

Weight attached to the handlebar or front fork will increase the mass of the steering assembly and can result in loss of steering control leading to an accident.

Accessories, Loading and Passengers

Warning

Do not carry a passenger unless he or she is tall enough to reach the footrests provided.

A passenger who is not tall enough to reach the footrests will be unable to sit securely on the motorcycle and may cause instability leading to loss of control and an accident.

Warning

If the passenger seat is used to carry small objects, they must not exceed 5 kg in weight, must not impair control of the motorcycle, must be securely attached and must not extend beyond the rear or sides of the motorcycle.

Carriage of objects in excess of 5 kg in weight, that are insecure, impair control or extend beyond the rear or sides of the motorcycle may lead to loss of motorcycle control and an accident.

Even if small objects are correctly loaded, the maximum speed of the motorcycle must be reduced to 80 mph (130 km/h).

Accessories, Loading and Passengers

This page intentionally left blank

Maintenance and Adjustment

MAINTENANCE AND ADJUSTMENT

Table of Contents

| | |
|--|----|
| Scheduled Maintenance | 54 |
| Engine Oil | 57 |
| Oil Level Inspection | 57 |
| Oil and Oil Filter Change | 58 |
| Disposal of Used Engine Oil and Oil Filters | 59 |
| Oil Specification and Grade | 60 |
| Cooling System | 60 |
| Corrosion Inhibitors | 60 |
| Coolant Level Inspection | 61 |
| Coolant Level Adjustment | 62 |
| Coolant Change | 62 |
| Radiator and Hoses | 63 |
| Bank Angle Indicators | 64 |
| Throttle Control | 64 |
| Inspection | 65 |
| Adjustment | 65 |
| Clutch | 66 |
| Inspection | 67 |
| Adjustment | 67 |
| Brakes | 67 |
| Brake Wear Inspection | 67 |
| Brake Pad Wear Compensation | 68 |
| Disc Brake Fluid | 68 |
| Brake Fluid Level Inspection and Adjustment | 69 |
| Brake Light Switches | 69 |
| Windscreen Cleaning | 70 |
| Steering/Wheel Bearings | 71 |
| Steering Inspection | 71 |
| Inspecting the Steering (Headstock) Bearings for Free Play | 71 |
| Wheel Bearings Inspection | 72 |

Maintenance and Adjustment

| | |
|---|----|
| Front Suspension | 73 |
| Front Fork Inspection | 73 |
| Suspension Adjustment | 73 |
| Suggested Suspension Settings | 74 |
| Final Drive Unit | 74 |
| Final Drive Oil Level Adjustment | 74 |
| Tyres | 75 |
| Tyre Inflation Pressures | 75 |
| Tyre Wear | 76 |
| Minimum Recommended Tread Depth | 76 |
| Tyre Replacement | 77 |
| Battery | 79 |
| Battery Removal | 79 |
| Battery Disposal | 80 |
| Battery Maintenance | 80 |
| Battery Discharge During Storage and Infrequent Use of the Motorcycle | 80 |
| Battery Charging | 81 |
| Battery Installation | 81 |
| Fuse Box | 82 |
| Fuse Identification | 82 |
| Headlight | 83 |
| Headlight Vertical Adjustment | 83 |
| Headlight Horizontal Adjustment | 84 |
| Headlight Bulb Replacement | 84 |
| Rear Light | 86 |
| Bulb Replacement | 86 |
| Direction Indicator Lights | 87 |
| Bulb Replacement | 87 |
| Cleaning | 88 |
| Preparation for Washing | 88 |
| Where to be Careful | 88 |
| After Washing | 89 |
| Unpainted Aluminium Items | 89 |
| Cleaning of the Exhaust System | 89 |
| Washing | 89 |

Maintenance and Adjustment

| | |
|-----------------|----|
| Drying | 90 |
| Protecting..... | 90 |

Maintenance and Adjustment

Scheduled Maintenance

To maintain the motorcycle in a safe and reliable condition, the maintenance and adjustments outlined in this section must be carried out as specified in the schedule of daily checks, and also in line with the scheduled maintenance chart. The information that follows describes the procedures to follow when carrying out the daily checks and some simple maintenance and adjustment items.

Warning

Special tools, knowledge and training are required in order to correctly carry out the maintenance items listed in the scheduled maintenance chart. Only an authorised Triumph dealer will have this knowledge and equipment.

Since incorrect or neglected maintenance can lead to a dangerous riding condition, always have an authorised Triumph dealer carry out the scheduled maintenance of this motorcycle.

Warning

All maintenance is vitally important and must not be neglected. Incorrect maintenance or adjustment may cause one or more parts of the motorcycle to malfunction. A malfunctioning motorcycle may lead to loss of control and an accident.

Weather, terrain and geographical location affects maintenance. The maintenance schedule should be adjusted to match the particular environment in which the vehicle is used and the demands of the individual owner.

Since incorrect or neglected maintenance can lead to a dangerous riding condition, always have an authorised Triumph dealer carry out the scheduled maintenance of this motorcycle.

Triumph Motorcycles cannot accept any responsibility for damage or injury resulting from incorrect maintenance or improper adjustment carried out by the owner.

Maintenance and Adjustment

| Operation Description | Odometer Reading in Miles (Kms) or Time Period, whichever comes first | | | | | | | |
|--|--|-------------------------|------------------------------|-------------------------------|-------------------------------|-------------------------------|-------------------------------|-------------------------------|
| | | First Service | A Service | B Service | C Service | D Service | A Service | B Service |
| | Every | 500 (800) 1 month | 10,000 (16,000) 1 year | 20,000 (32,000) 2 years | 30,000 (48,000) 3 years | 40,000 (64,000) 4 years | 50,000 (80,000) 5 years | 60,000 (96,000) 6 years |
| Engine - check for leaks | Day | • | • | • | • | • | • | • |
| Engine oil - renew | - | • | • | • | • | • | • | • |
| Engine oil filter - renew | - | • | • | • | • | • | • | • |
| Valve clearances - check/adjust | - | | • | | • | | • | |
| Air cleaner - renew | - | | | • | | • | | • |
| Engine ECM - check for stored DTCs | - | • | • | • | • | • | • | • |
| Spark plugs - check | - | | • | • | | • | • | |
| Spark plugs - renew | - | | | | • | | | • |
| Throttle bodies - balance | - | | • | • | • | • | • | • |
| Throttle cables - check/adjust | Day | • | • | • | • | • | • | • |
| Cooling system - check for leaks | - | • | • | • | • | • | • | • |
| Coolant level - check/adjust | Day | • | • | | • | | • | |
| Coolant - renew | - | | | • | | • | | • |
| Fuel system - check for leaks, chafing etc. | Day | • | • | • | • | • | • | • |
| Fuel filter - renew | - | | | • | | • | | • |
| Lights, instruments and electrical systems - check | Day | • | • | • | • | • | • | • |
| Steering - check for free operation | Day | • | • | • | • | • | • | • |
| Headstock bearings - check/adjust | - | • | • | • | • | • | • | • |

Maintenance and Adjustment

| Operation Description | Odometer Reading in Miles (Kms) or Time Period, whichever comes first | | | | | | | |
|---|---|-------------------------|------------------------------|-------------------------------|-------------------------------|-------------------------------|-------------------------------|-------------------------------|
| | | First Service | A Service | B Service | C Service | D Service | A Service | B Service |
| | Every | 500 (800) 1 month | 10,000 (16,000) 1 year | 20,000 (32,000) 2 years | 30,000 (48,000) 3 years | 40,000 (64,000) 4 years | 50,000 (80,000) 5 years | 60,000 (96,000) 6 years |
| Headstock bearings - lubricate | - | | | • | | • | | • |
| Forks - check for leaks/smooth operation | Day | • | • | • | • | • | • | • |
| Fork oil - renew | - | | | | | • | | |
| Brake fluid levels - check | Day | • | • | • | • | • | • | • |
| Brake fluid - renew | | Every 2 years | | | | | | |
| Brake pads - check wear levels | Day | • | • | • | • | • | • | • |
| Brake calipers - check for fluid leaks and seized pistons | - | • | • | • | • | • | • | • |
| Brake master cylinders - check for fluid leaks | - | • | • | • | • | • | • | • |
| Final drive - check for oil leaks | Day | • | • | • | • | • | • | • |
| Final drive oil level - check | - | • | • | | • | | • | |
| Final drive oil - renew | - | | | • | | • | | • |
| Wheels - inspect for damage | Day | • | • | • | • | • | • | • |
| Tyre wear/tyre damage - check | Day | • | • | • | • | • | • | • |
| Tyre pressures - check/adjust | Day | • | • | • | • | • | • | • |
| Fasteners - inspect visually for security | Day | • | • | • | • | • | • | • |
| Clutch cable - check/adjust | Day | • | • | • | • | • | • | • |
| Side stand - check operation | Day | • | • | • | • | • | • | • |
| Fuel and evaporative loss* hoses - renew | - | | | | | • | | |

*Evaporative system fitted to California models only.

Maintenance and Adjustment

Engine Oil

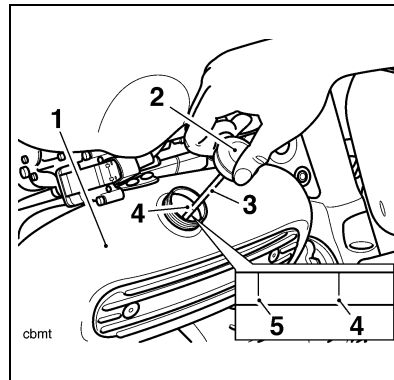


In order for the engine, transmission, and clutch to function correctly, maintain the engine oil at the correct level, and change the oil and oil filter in accordance with scheduled maintenance requirements.

Warning

Motorcycle operation with insufficient, deteriorated, or contaminated engine oil will cause accelerated engine wear and may result in engine or transmission seizure. Seizure of the engine or transmission may lead to sudden loss of control and an accident.

Oil Level Inspection



1. Oil tank
2. Oil tank cap
3. Dipstick
4. Maximum mark
5. Minimum mark

Caution

Ensure no foreign matter or contamination enters the oil tank during an oil change or top-up. Contamination entering the oil tank may lead to engine damage.

Stop engine.

Remove the filler cap/dipstick from the oil tank, wipe the dipstick clean and refit the filler cap, pushing it fully home.

Note:

- **The actual level is indicated when the motorcycle is upright, (not on the side stand) and when the filler cap/dipstick has been pushed fully home.**

Maintenance and Adjustment

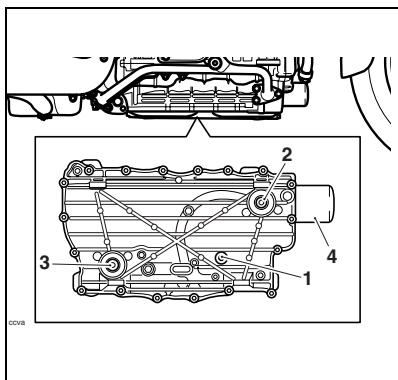
Remove the filler cap/dipstick.

The maximum oil level is indicated by a mark on the filler cap/dipstick. When the oil level is correct, the indicated oil level must be between the maximum and minimum lines on the dipstick.

If the oil level is too low, add oil a little at a time until the correct level is reached.

Once the correct level is reached, fit the filler cap/dipstick.

Oil and Oil Filter Change



1. Oil tank drain plug
2. Front sump drain plug
3. Rear sump drain plug
4. Oil filter cover

The engine oil and filter must be replaced in accordance with scheduled maintenance requirements.

Because this motorcycle has a dry-sump lubrication system, the oil change procedure differs from those many will be familiar with. This is because the majority of the oil is contained in the oil tank on the left side of the engine, not in the sump. To change the

engine oil and filter, follow the instructions below/over.

Warning

Prolonged or repeated contact with engine oil can lead to skin dryness, irritation and dermatitis. In addition, used engine oil contains harmful contamination that can lead to skin cancer. Always wear suitable protective clothing and avoid skin contact with used oil.

Allow the engine to idle briefly, then stop the engine and secure the motorcycle in an upright position.

Place an oil drain pan beneath the engine.

Remove the oil tank drain plug from the bottom of the sump and allow the oil tank to drain.

Note:

- **Removal of the oil tank drain plug allows the oil to drain from the oil tank, not the sump. In order to drain the one or two litres of oil left in the sump, the front and rear sump plugs must also be removed.**

Incorporating a new washer, refit the oil tank drain plug, tightening it to **25 Nm**.

Position the oil drain pan towards the front of the engine, remove the front sump drain plug and allow the oil to drain. This will drain the oil remaining in the front part of the sump.

Incorporating a new washer, refit the front sump plug, tightening it to **25 Nm**.

Position the oil drain pan towards the rear of the engine, remove the rear sump plug and allow the remaining oil to drain. This will

Maintenance and Adjustment

drain any oil remaining in the rear part of the sump.

Incorporating a new washer, refit the rear sump plug. Tighten to **25 Nm**.

Warning

The oil may be hot to the touch. Avoid contact with the hot oil by wearing suitable protective clothing, gloves, eye protection, etc. Contact with hot oil may cause the skin to be scalded or burned.

Remove the oil filter cover by pulling it gently towards the front of the motorcycle.

Position the oil drain pan beneath the oil filter.

Unscrew and remove the oil filter using Triumph service tool T3880313. Dispose of the old filter in an environmentally friendly way.

Apply a thin smear of clean engine oil to the sealing ring of the new oil filter. Fit the oil filter and tighten to **10 Nm**.

Fill the oil tank to the maximum mark with a 10W/40 or 15W/50 semi or fully synthetic motorcycle engine oil that meets specification API SH (or higher) AND JASO MA.

Start the engine and allow it to idle for a minimum of 30 seconds.

Caution

Raising the engine speed above idle, before the oil reaches all parts of the engine can cause engine damage or seizure. Only raise engine speed after running the engine for a few seconds to allow the oil to circulate fully.

Caution

If the engine oil pressure is too low, the low oil pressure warning light will illuminate. If this light stays on when the engine is running, stop the engine immediately and investigate the cause. Running the engine with low oil pressure will cause engine damage.

Ensure that the low oil pressure warning light extinguishes shortly after starting.

Turn off the ignition, check the oil level using the method previously described, and top up to between the minimum and maximum level lines on the dipstick.

Note:

- **When the engine is first started after an oil and filter change, at least 1 to 1.5 litres of oil will be required to top up the oil tank to the correct level.**

Disposal of Used Engine Oil and Oil Filters

To protect the environment, do not pour oil on the ground, down sewers or drains, or into watercourses. Do not place used oil filters in with general waste. If in doubt, contact your local authority.

Maintenance and Adjustment

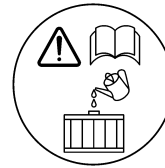
Oil Specification and Grade

Triumph high performance fuel injected engines are designed to use 10W/40 or 15W/50 semi or fully synthetic motorcycle engine oil that meets specification API SH (or higher) AND JASO MA.

Do not add any chemical additives to the engine oil. The engine oil also lubricates the clutch and any additives could cause the clutch to slip.

Do not use mineral, vegetable, non-detergent oil, castor based oils or any oil not conforming to the required specification. The use of these oils may cause instant, severe engine damage.

Cooling System



To ensure efficient engine cooling, check the coolant level each day before riding the motorcycle, and top up the coolant if the level is low.

Caution

A year-round type of anti-freeze is installed in the cooling system when the motorcycle leaves the factory. It is coloured green, contains a 50% solution of ethylene glycol, and has a freezing point of -35°C (-31°F).

Corrosion Inhibitors

To protect the cooling system from corrosion, the use of corrosion inhibitor chemicals in the coolant is essential.

If coolant containing a corrosion inhibitor is not used, the cooling system will accumulate rust and scale in the water jacket and radiator. This will block the coolant passages, and considerably reduce the efficiency of the cooling system.

The anti-freeze recommended in the Specification section, mixed 50/50 with distilled water will provide the necessary corrosion inhibition.

Maintenance and Adjustment

Warning

Use coolant mixture containing corrosion inhibitors and anti-freeze suitable for aluminium engines and radiators. Always use the anti-freeze in accordance with the instructions of the manufacturer.

Coolant mixture that contains anti-freeze and corrosion inhibitors contains toxic chemicals that are harmful to the human body. Never swallow anti-freeze or any of the motorcycle coolant.

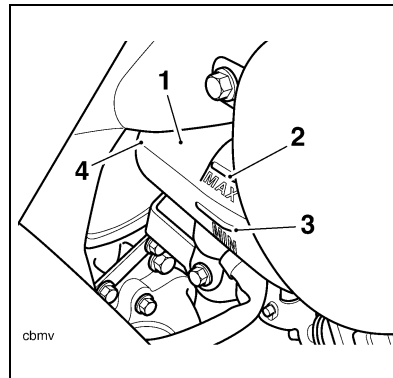
Distilled water must be used to dilute coolant to the correct mixture ratio.

In an emergency, tap water can be added to the cooling system. However, the coolant must then be changed and returned to the correct mixture ratio using distilled water and new coolant as soon as possible.

Caution

Distilled water must be used to dilute coolant to the correct mixture ratio. If hard water is used in the cooling system, it will cause scale accumulation in the engine and radiator and considerably reduces the efficiency of the cooling system. Reduced cooling system efficiency may cause the engine to overheat and suffer severe damage.

Coolant Level Inspection



1. Expansion tank

2. MAX mark

3. MIN mark

4. Fluid level

Position the motorcycle on level ground and in an upright position.

The coolant level within the expansion tank can be inspected without removing any covers. It is located behind the front edge of the intake cover on the left hand side of the fuel tank.

Check the coolant level in the expansion tank. The coolant level must be between the MAX (upper line) and MIN (lower line) marks. If the coolant is below the minimum level, the coolant level must be adjusted.

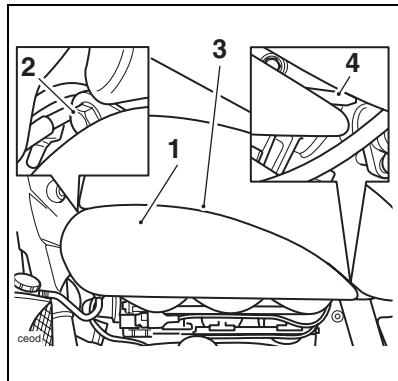
Maintenance and Adjustment

Coolant Level Adjustment

Warning

Do not remove the expansion tank or radiator pressure cap when the engine is hot. When the engine is hot, the coolant inside the expansion tank will be hot and also under pressure. Contact with this hot, pressurised coolant will cause scalds and skin damage.

Allow the engine to cool.



1. Intake cover
2. Intake cover front fixing
3. Intake cover centre support
4. Intake cover rear support

Remove the intake cover as follows: Remove the fixing from the front and then slide the cover to the front of the motorcycle to release it from the centre and rear supports.

Remove the cap from the expansion tank, and add coolant mixture through the filler opening until the level reaches the MAX mark. Refit the cap.

Note:

- If the coolant level is being checked because the coolant has overheated, also check the level in the radiator and top up if necessary.
- In an emergency, water alone can be added to the cooling system. However, the coolant must then be changed and returned to the correct mixture ratio using distilled water and new coolant as soon as possible.

Refit the intake cover as follows: Align the cover to the centre and rear supports and ease it into place. Fit and tighten the fixing to **9 Nm**.

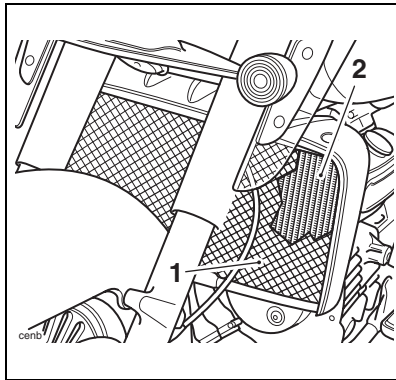
Coolant Change

Have the coolant changed by an authorised Triumph dealer in accordance with scheduled maintenance requirements.

Maintenance and Adjustment

Radiator and Hoses

Check the radiator hoses for cracks or deterioration, and hose clips for tightness in accordance with scheduled maintenance requirements. Have your authorised Triumph dealer replace any defective items.



1. Radiator grille
2. Radiator fins

Check the radiator grille and fins for obstructions by insects, leaves or mud. Clean off any obstructions with a stream of low-pressure water.

Warning

The fan operates automatically when the engine is running. Always keep hands and clothing away from the fan as contact with the rotating fan can cause injury.

Caution

Using high-pressure water sprays, such as from a car wash facility or household pressure washer, can damage the radiator fins, cause leaks and impair the radiator's efficiency.

Do not obstruct or deflect airflow through the radiator by installing unauthorised accessories, either in front of the radiator or behind the cooling fan. Interference with the radiator airflow can cause overheating, potentially resulting in engine damage.

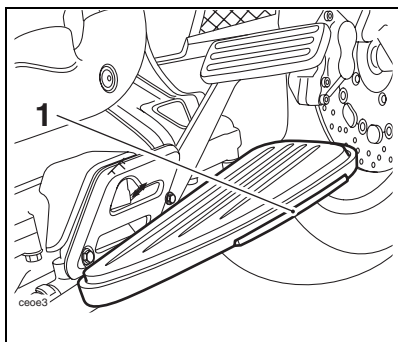
Maintenance and Adjustment

Bank Angle Indicators

Bank angle indicators are located on the outer edge of the riders footboards.

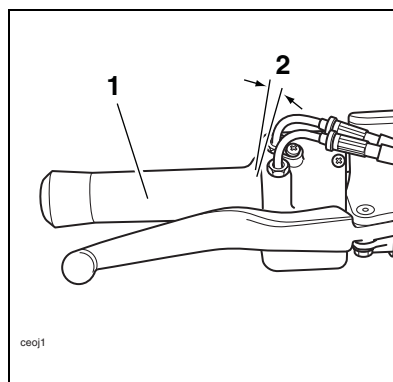
Regularly check the bank angle indicators for wear on the outer edge.

Replace the bank angle indicators when the bank angle indicator is worn before the footboard can start to get damaged.



1. Bank angle indicator

Throttle Control



1. Throttle grip
2. 2 - 3 mm

Warning

The throttle grip controls the throttle valves in the throttle bodies. If the throttle cables are incorrectly adjusted, either too tight or too loose, the throttle may be difficult to control and performance will be adversely affected.

Check the throttle grip free play in accordance with scheduled maintenance requirements and make adjustments as necessary.

Always be alert for changes in the 'feel' of the throttle and have the throttle system checked by an authorised Triumph dealer if any changes are detected. Changes can be due to wear in the mechanism, which could lead to a sticking throttle.

An incorrectly adjusted, sticking or stuck throttle will lead to loss of motorcycle control and an accident.

Maintenance and Adjustment

Inspection

Check that the throttle opens smoothly, without undue force and that it closes without sticking. Have your authorised Triumph dealer check the throttle system if a problem is detected or any doubt exists.

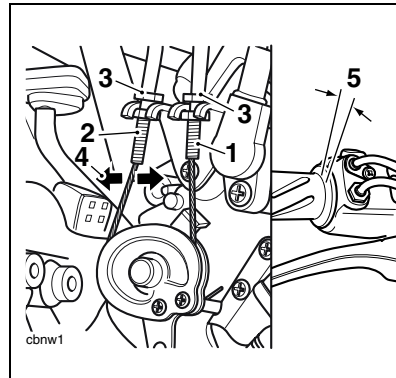
Check that there is 2 - 3 mm of throttle grip free play when lightly turning the throttle grip back and forth.

If there is an incorrect amount of free play, Triumph recommends that you have adjustments made by your authorised Triumph dealer. However, in an emergency, throttle adjustment may be made as follows:

Warning

Use of the motorcycle with incorrectly adjusted, incorrectly routed, sticking or damaged throttle cables will interfere with the throttle function resulting in loss of motorcycle control and an accident.

To avoid incorrect adjustment, incorrect routing, or continued use of a sticking or damaged throttle, always have your throttle checked and adjusted by your authorised Triumph dealer.



1. Opening cable adjuster
2. Closing cable adjuster
3. Locknuts
4. Closing cable - free play measurement point
5. Opening cable - free play measurement point

Note:

- **Minor adjustments can be made using the adjusters near the twist grip end of the throttle. Where a correct setting cannot be achieved in this way, the adjusters at the throttle body end must be used. The 'opening' cable must be set first followed by the 'closing' cable.**

Adjustment

Remove the seat.

Disconnect the battery, negative (black) lead first.

Remove the intake cover as described in the Cooling section.

Release the locknut on the 'opening' cable adjuster.

Maintenance and Adjustment

Rotate the 'opening' cable adjuster at the twist grip end such that it has an equal amount of adjustment in each direction.

Rotate the 'opening' cable adjuster at the throttle body end of the cable to give 2 - 3 mm of play at the twist grip. Tighten the locknut.

Make any minor adjustments as necessary to give 2 - 3 mm of play using the adjuster near the twist grip end of the cable. Tighten the locknut.

With the throttle fully closed, ensure that there is 2 - 3 mm of free play in the 'closing' cable at the throttle cam attached to the throttle bodies. If necessary, adjust in the same way as the 'opening' cable until 2 - 3 mm of play is present.

Warning

Ensure that all the adjuster locknuts of both cables are tightened, as a loose locknut could result in a sticking throttle.

An incorrectly adjusted, sticking or stuck throttle can lead to loss of motorcycle control and an accident.

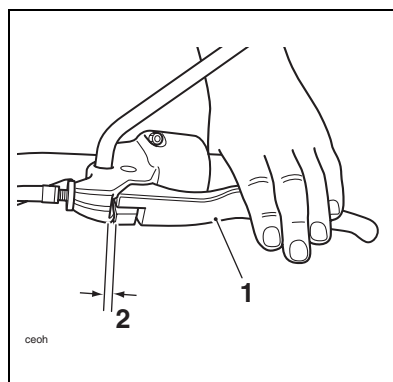
Refit the intake cover, tightening the fixing to **9 Nm**.

Reconnect the battery, positive (red) lead first. Refit the seat.

Check that the throttle opens smoothly, without undue force and that it closes without sticking.

Ride carefully to your nearest authorised Triumph dealer to have the throttle system thoroughly checked before riding again.

Clutch



1. Clutch lever
2. 2 - 3 mm

The motorcycle is equipped with a cable-operated clutch.

If the clutch lever has excessive free play, the clutch may not disengage fully. This will cause difficulty in changing gear and selecting neutral. This may cause the engine to stall and make the motorcycle difficult to control. Conversely, if the clutch lever has insufficient free play the clutch may not engage fully, causing the clutch to slip, which will reduce performance and cause premature clutch wear.

Clutch lever free play must be checked in accordance with scheduled maintenance requirements.

Maintenance and Adjustment

Inspection

Check that there is 2 - 3 mm clutch lever free play at the lever.

If there is an incorrect amount of free play, adjustments must be made.

Adjustment

Loosen the knurled locknut at the lever end of the clutch cable and turn the adjuster sleeve until the correct amount of clutch lever free play is achieved.

Tighten the knurled locknut against the clutch lever assembly.

If correct adjustment cannot be made using the lever adjuster, use the cable adjuster at the lower end of the cable.

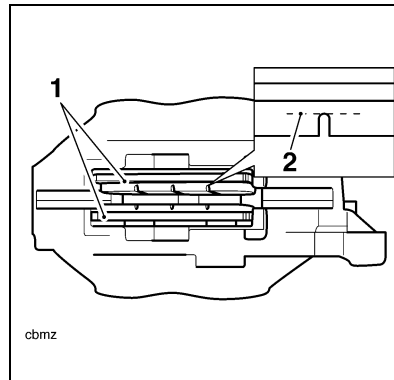
Loosen the adjuster locknut.

Turn the outer cable adjuster to give 2 - 3 mm of free play at the clutch lever.

Tighten the locknut.

Brakes

Brake Wear Inspection



1. Brake pads

2. Minimum thickness line

Brake pads must be inspected in accordance with scheduled maintenance requirements and replaced if worn to, or beyond the minimum service thickness.

If the lining thickness of any pad (front or rear brakes) is less than 1.5 mm (0.06 in), that is, if the pad has worn down to the bottom of the grooves, replace all the pads on the wheel.

Maintenance and Adjustment

Warning

Brake pads must always be replaced as a wheel set. At the front, where two calipers are fitted on the same wheel, replace all the brake pads in both calipers.

Replacing individual pads will reduce braking efficiency and may cause an accident.

After replacement brake pads have been fitted, ride with extreme caution until the new pads have 'broken in'.

Brake Pad Wear Compensation

Disc and brake pad wear is automatically compensated for and has no effect on the brake lever or pedal action. There are no parts that require adjustment on the front and rear brakes.

Warning

If the brake lever or pedal feels soft when it is applied, or if the lever/pedal travel becomes excessive, there may be air in the brake pipes and hoses or the brakes may be defective.

It is dangerous to operate the motorcycle under such conditions and your authorised Triumph dealer must rectify the fault before riding.

Riding with defective brakes may lead to loss of motorcycle control and an accident.

Disc Brake Fluid

Inspect the level of brake fluid in both reservoirs and change the brake fluid in accordance with scheduled maintenance requirements. Use only DOT 4 fluid as recommended in the Specification section. The brake fluid must also be changed if it becomes, or is suspected of having become contaminated with moisture or any other contaminants.

Warning

Brake fluid is hygroscopic which means it will absorb moisture from the air.

Any absorbed moisture will greatly reduce the boiling point of the brake fluid causing a reduction in braking efficiency.

Because of this, always replace brake fluid in accordance with scheduled maintenance requirements.

Always use new brake fluid from a sealed container and never use fluid from an unsealed container or from one which has been previously opened.

Do not mix different brands or grades of brake fluid.

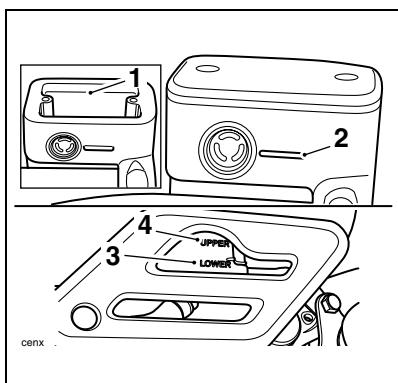
Check for fluid leakage around brake fittings, seals and joints and also check the brake hoses for splits, deterioration and damage.

Always rectify any faults before riding.

Failure to observe and act upon any of these items may cause a dangerous riding condition leading to loss of control and an accident.

Maintenance and Adjustment

Brake Fluid Level Inspection and Adjustment



1. Front brake fluid reservoir, upper level line
2. Lower level line
3. Rear brake fluid reservoir, lower level line
4. Upper level line

The brake fluid level in the reservoirs must be kept between the upper and lower level lines (reservoir held horizontal).

Release the fixings securing the front brake reservoir cover, then remove the cover.

Fill the reservoir to the upper level line using new DOT 4 fluid from a sealed container.

Refit the reservoir cover ensuring that the diaphragm seal is correctly fitted. Tighten the fixings to **2 Nm**.

Remove the fixings securing the right hand heel guard to the footrest bar then lift the guard out of the way.

Remove the fixings securing the rear brake fluid reservoir cover, then remove the cover.

Fill the reservoir to the upper level line using new DOT 4 fluid from a sealed container.

Refit the reservoir cover ensuring that the diaphragm seal is correctly fitted. Tighten the fixings to **2 Nm**.

Refit the heel guard and tighten the fixings to **9 Nm**.

Warning

If there has been an appreciable drop in the level of the fluid in either fluid reservoir, consult your authorised Triumph dealer for advice before riding. Riding with depleted brake fluid levels, or with a brake fluid leak is dangerous and will cause reduced brake performance potentially leading to loss of motorcycle control and an accident.

Brake Light Switches

The brake light is activated independently by either the front or rear brake. If, with the ignition in the ON position, the brake light does not work when the front brake lever is pulled or the rear brake pedal is pressed, have your authorised Triumph dealer investigate and rectify the fault.

Warning

Riding the motorcycle with defective brake lights is illegal and dangerous.

An accident causing injury to the rider and other road users may result from use of a motorcycle with defective brake lights.

Maintenance and Adjustment

Windscreen Cleaning



Clean the windscreen with a solution of mild soap or detergent and lukewarm water.

After cleaning, rinse well and then dry with a soft, lint free cloth.

Caution

Corrosive chemicals such as battery battery acid will damage the windscreen. Never allow corrosive chemicals to contact the windscreen.

Caution

Products such as window cleaning fluids, insect remover, rain repellent, scouring compounds, petrol or strong solvents such as alcohol, acetone, carbon tetrachloride, etc. will damage the windscreen. Never allow these products to contact the screen.

If the transparency of the windscreen is reduced by scratches or oxidation which cannot be removed, the windscreen must be replaced.

Warning

Never attempt to clean the windscreen while the motorcycle is in motion as releasing the handlebars may cause loss of vehicle control and an accident.

Operation of the motorcycle with a damaged or scratched windscreen will reduce the rider's forward vision. Any such reduction in forward vision is dangerous and may lead to an accident causing injury or death.

Maintenance and Adjustment

Steering/Wheel Bearings

Steering Inspection

Lubricate and inspect the condition of the headstock (steering) bearings in accordance with scheduled maintenance requirements.

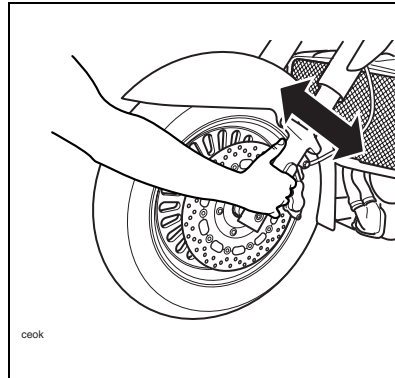
Note:

- **Always inspect the wheel bearings at the same time as the steering bearings.**

Warning

To prevent risk of injury from the motorcycle falling during the inspection, ensure that the motorcycle is stabilised and secured on a suitable support. Do not exert extreme force against each wheel or rock each wheel vigorously as this may cause the motorcycle to become unstable and cause injury by falling from its support. Ensure that the position of the support will not cause damage to the sump.

Inspecting the Steering (Headstock) Bearings for Free Play



Position the motorcycle on level ground, in an upright position.

Raise the front wheel above the ground and support the motorcycle.

Standing at the front of the motorcycle, hold the lower end of the front forks and try to move them forward and backward.

If any free play can be detected in the steering (headstock) bearings, ask your authorised Triumph dealer to inspect and rectify any faults before riding.

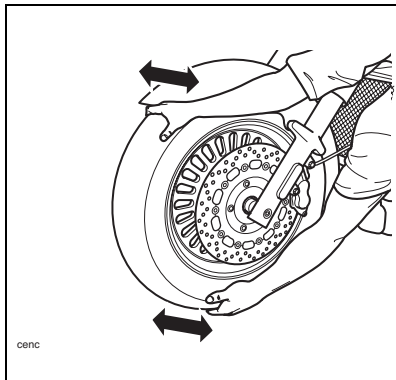
Warning

Riding the motorcycle with incorrectly adjusted or defective steering (headstock) bearings is dangerous and may cause loss of motorcycle control and an accident.

Remove the support and place the motorcycle on the side stand.

Maintenance and Adjustment

Wheel Bearings Inspection



If the wheel bearings in the front or rear wheel allow play in the wheel hub, are noisy, or if the wheel does not turn smoothly, have your authorised Triumph dealer inspect the wheel bearings.

The wheel bearings must be inspected at the intervals specified in the scheduled maintenance chart.

Position the motorcycle on level ground, in an upright position.

Raise the front wheel above the ground and support the motorcycle.

Standing at the side of the motorcycle, gently rock the top of the front wheel from side to side.

If any free play can be detected, ask your authorised Triumph dealer to inspect and rectify any faults before riding.

Reposition the lifting device and repeat the procedure for the rear wheel.

Warning

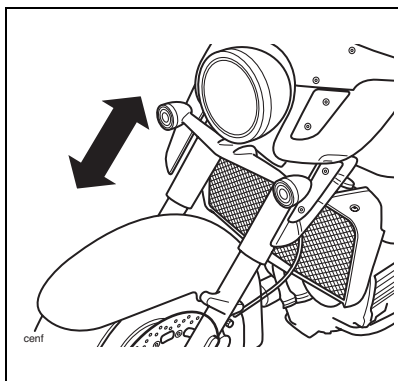
Operation with worn or damaged front or rear wheel bearings is dangerous and may cause impaired handling and instability leading to an accident. If in doubt, have the motorcycle inspected by an authorised Triumph dealer before riding.

Remove the support and place the motorcycle on the side stand.

Maintenance and Adjustment

Front Suspension

Front Fork Inspection



Examine each fork for any sign of damage, scratching of the slider surface, or for oil leaks.

If any damage or leakage is found, consult an authorised Triumph dealer.

To check that the forks operate smoothly:

- Position the motorcycle on level ground.
- While holding the handlebars and applying the front brake, pump the forks up and down several times.
- If roughness or excessive stiffness is detected, consult your authorised Triumph dealer.

Warning

Riding the motorcycle with defective or damaged suspension is dangerous and may lead to loss of control and an accident.

Warning

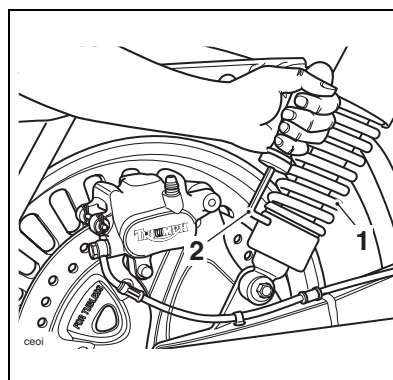
Never attempt to dismantle any part of the suspension units, as all units contain pressurised oil. Skin and eye damage can result from contact with the pressurised oil.

Suspension Adjustment

Front Suspension

The front suspension is factory set and is not adjustable.

Rear Suspension



1. Rear suspension unit

2. Adjustment tool

The rear suspension is adjustable for pre-load only.

To change the rear suspension spring pre-load setting, remove the panniers (see page 33).

Insert the adjustment tool supplied in the tool kit into the hole provided in the adjuster ring.

Turn the adjuster ring clockwise to increase spring pre-load, and anti-clockwise to

Maintenance and Adjustment

decrease spring pre-load. When delivered from the factory, the pre-load adjuster will be set at position 2.

Refit the panniers (see page 33).

Warning

Ensure that the adjusters are set to the same setting on both rear suspension units. Settings that vary from left to right may affect handling and stability resulting in loss of motorcycle control, and an accident.

Suggested Suspension Settings

Adjuster settings are counted from position one with position one being with the adjuster turned fully anti-clockwise. There are five positions in total. Position one gives the minimum amount of spring pre-load.

| Riding Condition | Suspension Preload Setting |
|------------------------------|----------------------------|
| Rider only | Position 2 |
| Rider and passenger | Position 4 |
| Rider, passenger and luggage | Position 5 |

Note:

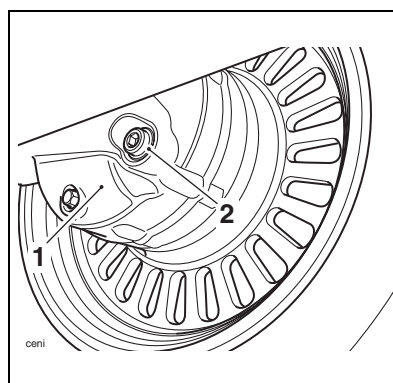
- **The details given in the table are to be used as a guide only where the rider and passenger each weigh 90 kg or less. Setting requirements should be increased for heavier riders and passengers and according to personal preferences.**

Final Drive Unit

Other than checking and changing the final drive oil level, the unit contains no user serviceable parts. If a fault occurs with the final drive unit, your Triumph dealer must replace the complete assembly.

Check the final drive unit for oil leaks in accordance with the scheduled maintenance chart.

Final Drive Oil Level Adjustment



1. Final drive unit
2. Oil level/filler plug

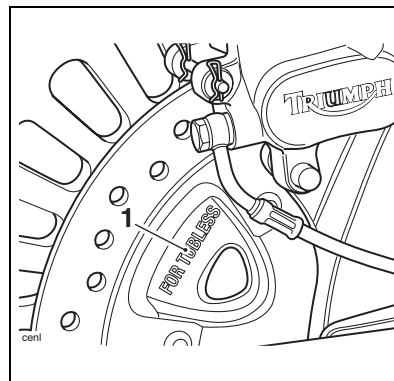
Maintenance and Adjustment

To check the oil level in the final drive unit, remove the filler/level plug. Fill with Mobilube 1 SHC 75W-90 fully synthetic hypoid oil (or equivalent) until the level of oil inside the unit is level with the bottom of the filler. Refit the plug and tighten to **60 Nm**.

Warning

Under no circumstances should the final drive unit be disassembled. Failure to observe the above warning could lead to a malfunction of the final drive unit causing lock-up of the rear wheel leading to loss of motorcycle control and an accident.

Tyres



1. Wheel marking

This motorcycle is equipped with tubeless tyres, valves and wheel rims. Use only tyres marked 'TUBELESS' and tubeless valves on rims marked 'FOR TUBELESS'.

Tyre Inflation Pressures

Correct inflation pressure will provide maximum stability, rider comfort and tyre life. Always check tyre pressures before riding when the tyres are cold. Check tyre pressures daily and adjust if necessary. See the Specification section for details of the correct inflation pressures - see 'Tyres: Pressures' on page 97.

Maintenance and Adjustment

Warning

Incorrect tyre inflation will cause abnormal tread wear and instability problems that may lead to loss of control and an accident. Under-inflation may result in the tyre slipping on, or coming off the rim. Over-inflation will cause instability and accelerated tread wear. Both conditions are dangerous as they may cause loss of control leading to an accident.

Tyre Wear

As the tyre tread wears down, the tyre becomes more susceptible to punctures and failure. It is estimated that 90% of all tyre problems occur during the last 10% of tread life (90% worn). It is, therefore, false economy and unsafe to use tyres until they are worn to their minimum.

Minimum Recommended Tread Depth

In accordance with the periodic maintenance chart, measure the depth of the tread with a depth gauge, and replace any tyre that has worn to, or beyond the minimum allowable tread depth specified in the table below:

| | |
|----------------------------|---|
| Under 130 km/h (80 mph) | 2 mm (0.08 in) |
| Over 130 km/h (80 mph) | Rear 3 mm (0.12 in) Front 2 mm (0.08 in) |

Warning

This motorcycle must not be operated above the legal road speed limit except in authorised closed course conditions.

Warning

Only operate this Triumph motorcycle at high speed in closed-course on-road competition or on closed-course race tracks. High-speed operation should only then be attempted by riders who have been instructed in the techniques necessary for high-speed riding and are familiar with the motorcycle's characteristics in all conditions. High-speed operation in any other circumstances is dangerous and will lead to loss of motorcycle control and an accident.

Maintenance and Adjustment

Warning

Operation with excessively worn tyres is hazardous and will adversely affect traction, stability and handling which may lead to loss of control and an accident.

When tubeless tyres become punctured, leakage is often very slow. Always inspect tyres very closely for punctures. Check the tyres for cuts, embedded nails or other sharp objects. Operation with punctured or damaged tyres will adversely affect motorcycle stability and handling which may lead to loss of control or an accident.

Check the rims for dents or deformation. Operation with damaged or defective wheels or tyres is dangerous and loss of motorcycle control or an accident could result.

Always consult your authorised Triumph dealer for tyre replacement, or for a safety inspection of the tyres.

Warning

If a tyre sustains a puncture, the tyre must be replaced. Failure to replace a punctured tyre, or operation with a repaired tyre can lead to instability, loss of control or an accident.

Warning

Do not install tube-type tyres on tubeless rims. The bead will not seat and the tyres could slip on the rims, causing rapid tyre deflation that may result in a loss of vehicle control and an accident. Never install an inner tube inside a tubeless tyre. This will cause friction inside the tyre and the resulting heat build-up may cause the tube to burst resulting in rapid tyre deflation, loss of vehicle control and an accident.

Warning

If tyre damage is suspected, such as after striking the kerb, ask your authorised Triumph dealer to inspect the tyre both internally and externally. Remember, tyre damage may not always be visible from the outside. Operation of the motorcycle with damaged tyres could lead to loss of control and an accident.

Tyre Replacement

All Triumph motorcycles are carefully and extensively tested in a range of riding conditions to ensure that the most effective tyre combinations are approved for use on each model. It is essential that approved tyres, fitted in approved combinations, are used when purchasing replacement tyres. The use of non-approved tyres, or approved tyres in non-approved combinations, may lead to motorcycle instability and an accident. See the Specification section for details of approved tyre combinations. Always have tyres fitted and balanced by your authorised Triumph dealer who has the necessary training and skills to ensure safe, effective fitment.

Maintenance and Adjustment

Warning

When replacement tyres are required, consult your authorised Triumph dealer who will arrange for the tyres to be selected, in a correct combination, from the approved list and fitted according to the tyre manufacturer's instructions.

When tyres are replaced, allow time for the tyres to seat to the rim (approximately 24 hours). During this seating period, ride cautiously as an incorrectly seated tyre could cause loss of control or an accident.

Initially, the new tyres will not produce the same handling characteristics as the worn tyres and the rider must allow adequate riding distance (approximately 100 miles) to become accustomed to the new handling characteristics.

24 hours after fitting, the tyre pressures must be checked and adjusted, and the tyres examined for correct seating. Rectification must be carried out as necessary.

The same checks and adjustments must also be carried out when 100 miles have been travelled after fitting.

Use of a motorcycle with incorrectly seated tyres, incorrectly adjusted tyre pressures, or when not accustomed to its handling characteristics may lead to loss of control and an accident.

Warning

Tyres that have been used on a rolling road dynamometer may become damaged. In some cases, the damage may not be visible on the external surface of the tyre. Tyres must be replaced after such use as continued use of a damaged tyre may lead to instability, loss of control and an accident.

Warning

Accurate wheel balance is necessary for safe, stable handling of the motorcycle. Do not remove or change any wheel balance weights. Incorrect wheel balance may cause instability leading to loss of control and an accident.

When wheel balancing is required, such as after tyre replacement, see your authorised Triumph dealer.

Only use self-adhesive weights. Clip on weights may damage the wheel and tyre resulting in tyre deflation, loss of control and an accident.

Maintenance and Adjustment

Battery

Warning

Under some circumstances, the battery can give off explosive gases; keep sparks, flames and cigarettes away. Provide adequate ventilation when charging or using the battery in an enclosed space.

The battery contains sulphuric acid (battery acid). Contact with skin or eyes may cause severe burns. Wear protective clothing and a face shield.

If battery acid gets on your skin, flush with water immediately.

If battery acid gets in your eyes, flush with water for at least 15 minutes and SEEK MEDICAL ATTENTION IMMEDIATELY.

If battery acid is swallowed, drink large quantities of water and SEEK MEDICAL ATTENTION IMMEDIATELY.

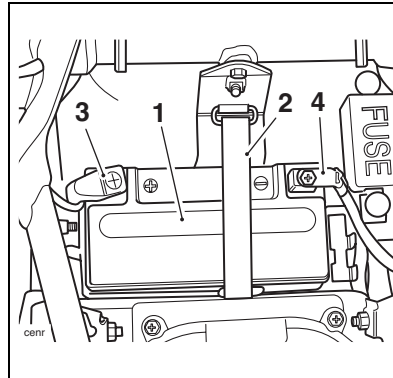
KEEP BATTERY ACID OUT OF THE REACH OF CHILDREN.

Warning

The battery contains harmful materials. Always keep children away from the battery whether or not it is fitted in the motorcycle.

Do not attach jump leads to the battery, touch the battery cables together or reverse the polarity of the cables as any of these actions may cause a spark which would ignite battery gases causing a risk of personal injury.

Battery Removal



1. Battery
2. Battery strap
3. Positive (red) terminal
4. Negative terminal

Remove the seat.

Remove the battery strap.

Disconnect the battery leads, negative (black) lead first.

Take the battery out of the case.

Warning

Ensure that the battery terminals do not touch the motorcycle frame as this may cause a short circuit or spark, which would ignite battery gases causing a risk of personal injury.

Maintenance and Adjustment

Battery Disposal

Should the battery ever require replacement, the original battery must be handed to a recycling agent who will ensure that the dangerous substances from which the battery is manufactured do not pollute the environment.

Battery Maintenance

Clean the battery using a clean, dry cloth. Be sure that the cable connections are clean.

Warning

The battery acid is corrosive and poisonous and will cause damage to unprotected skin. Never swallow battery acid or allow it to come into contact with the skin. To prevent injury, always wear eye and skin protection when handling the battery.

The battery is a sealed type and does not require any maintenance other than checking the Voltage and routine recharging when required, such as during storage.

It is not possible to adjust the battery acid level in the battery; the sealing strip must not be removed.

Battery Discharge

Caution

The charge level in the battery must be maintained to maximise battery life. Failure to maintain the battery charge level could cause serious internal damage to the battery.

Under normal conditions, the motorcycle charging system will keep the battery fully charged. However, if the motorcycle is unused, the battery will gradually discharge due to a normal process called self discharge; the clock, engine control module (ECM) memory, high ambient temperatures, or the addition of electrical security systems or other electrical accessories will all increase this rate of battery discharge. Disconnecting the battery from the motorcycle during storage will reduce the rate of discharge.

Battery Discharge During Storage and Infrequent Use of the Motorcycle

During storage or infrequent use of the motorcycle, inspect the battery Voltage weekly using a digital multimeter. Follow the manufacturer's instructions supplied with the meter.

Should the battery Voltage fall below 12.7 Volts, the battery should be charged (see page 87).

Allowing a battery to discharge or leaving it discharged for even a short period of time causes sulphation of the lead plates. Sulphation is a normal part of the chemical reaction inside the battery, however over time the sulphate can crystallise on the plates making recovery difficult or impossible. This permanent damage is not covered by the motorcycle warranty, as it is not due to a manufacturing defect.

Keeping the battery fully charged reduces the likelihood of it freezing in cold conditions. Allowing a battery to freeze will cause serious internal damage to the battery.

Maintenance and Adjustment

Battery Charging

For help with selecting a battery charger, checking the battery Voltage or battery charging, contact your local authorised Triumph dealer.

Warning

The battery gives off explosive gases; keep sparks, flames and cigarettes away. Provide adequate ventilation when charging or using the battery in an enclosed space.

The battery contains sulphuric acid (battery acid). Contact with skin or eyes may cause severe burns. Wear protective clothing and a face shield.

If battery acid gets on your skin, flush with water immediately.

If battery acid gets in your eyes, flush with water for at least 15 minutes and SEEK MEDICAL ATTENTION IMMEDIATELY.

If battery acid is swallowed, drink large quantities of water and SEEK MEDICAL ATTENTION IMMEDIATELY.

KEEP BATTERY ACID OUT OF THE REACH OF CHILDREN.

Caution

Do not use an automotive quick charger as it may overcharge and damage the battery.

Should the battery Voltage fall below 12.7 Volts, the battery should be charged using a Triumph approved battery charger. Always remove the battery from the motorcycle and follow the instructions supplied with the battery charger.

For extended periods of storage (beyond two weeks) the battery should be removed from the motorcycle and kept charged using a Triumph approved maintenance charger.

Similarly, should the battery charge fall to a level where it will not start the motorcycle, remove the battery from the motorcycle before charging.

Battery Installation

Warning

Ensure that the battery terminals do not touch the motorcycle frame as this may cause a short circuit or spark, which would ignite battery gases causing a risk of personal injury.

Place the battery in the battery case.

Reconnect the battery, positive (red) lead first.

Apply a light coat of grease to the terminals to prevent corrosion.

Cover the positive terminal with the protective cap.

Refit the battery strap.

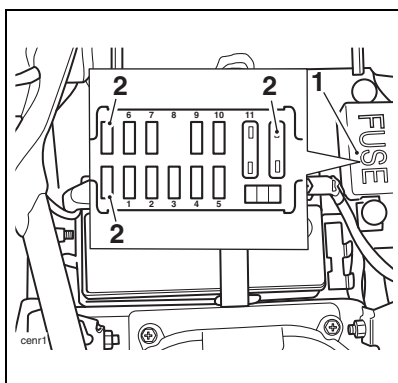
Refit the seat.

Maintenance and Adjustment

Fuse Box

Note:

- **Fuse position eight is not used.**



1. Fuse box
2. Spare fuses

Note:

- **Numbers shown in the diagram correspond to the fuse position numbers in the table overleaf.**

The fuse box is located beneath the rider's seat.

To allow access to the fuse box, the rider's seat must be removed.

Warning

Always replace blown fuses with new ones of the correct rating (as specified on the fuse box cover) and never use a fuse of higher rating. Use of an incorrect fuse could lead to an electrical problem, resulting in motorcycle damage, loss of motorcycle control and an accident.

Fuse Identification

A blown fuse is indicated when all of the systems protected by that fuse become inoperative. When checking for a blown fuse, use the table below to establish which fuse has blown.

| Circuit Protected | Rating (Amps) | Position |
|---|---------------|----------|
| Accessory lights | 15 | 1 |
| Ignition switch main feed | 30 | 2 |
| Accessory socket, instrument memory, heated grips, global positioning system (GPS) | 10 | 3 |
| Alarm, diagnostic connector, indicators, brake lights, horn | 15 | 4 |
| Instruments, fuel pump relay, starter relay, engine management system relay, engine control module, fall detection switch | 10 | 5 |
| Engine management system | 20 | 6 |
| Cooling fan | 15 | 7 |
| Not used | - | 8 |
| Upper and lower headlight beams, starter solenoid | 15 | 9 |
| Position lights | 5 | 10 |
| Main fuse | 30 | 11 |

Maintenance and Adjustment

Headlight

Warning

Adjust road speed to suit the visibility and weather conditions in which the motorcycle is being operated.

Ensure that the beams are adjusted to illuminate the road surface sufficiently far ahead without dazzling oncoming traffic. An incorrectly adjusted headlight may impair visibility causing an accident.

Warning

Never attempt to adjust a headlamp beam when the motorcycle is in motion.

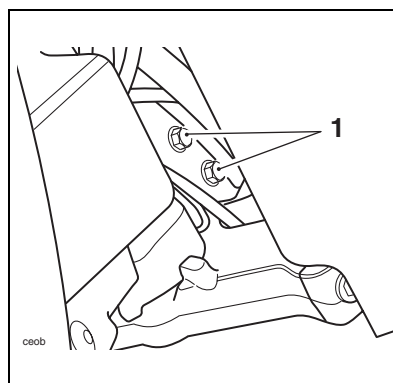
Any attempt to adjust a headlamp beam when the motorcycle is in motion may result in loss of control and an accident.

Caution

If the motorcycle is to be used under closed-course conditions, you may be asked to tape the visible outer surface of the headlight.

When taped, the headlight will overheat and distort the outer surface. Therefore, to avoid headlight distortion, always disconnect the headlights when they are taped for use under closed-course conditions.

Headlight Vertical Adjustment



1. Vertical beam adjusters

Turn on the ignition to switch on the headlight dipped beam.

Slacken the vertical beam adjuster bolts sufficiently to allow restricted movement of the headlight.

Adjust the position of the headlight to give the required beam setting.

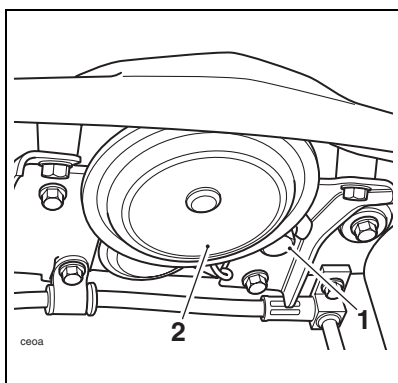
Tighten the adjuster bolts to **12 Nm**.

Re-check the headlight beam settings.

Turn the ignition switch off to turn off the headlight when the beam setting is satisfactorily set.

Maintenance and Adjustment

Headlight Horizontal Adjustment

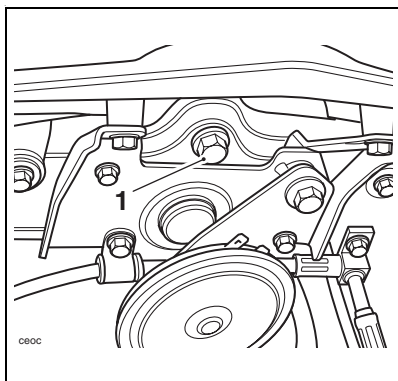


1. Horn bracket fixing
2. Horn

The horizontal beam of the headlight can be adjusted.

Turn on the ignition to switch on the headlight dipped beam.

Slacken the horn bracket fixing and move the horn to access the headlight bracket fixing.



1. Headlight bracket fixing

Slacken the headlight bracket fixing sufficiently to allow restricted movement of the headlight.

Adjust the position of the headlight to give the required beam setting.

Tighten the headlight bracket fixing to **35 Nm**.

Re-check the headlight beam setting.

Move the horn to its original position and tighten the horn bracket fixing to **18 Nm**.

Turn the ignition switch off to turn off the headlight when the beam setting is satisfactorily set.

Headlight Bulb Replacement

It is necessary to remove the headlight from the headlight bowl to gain access to the bulbs.

Warning

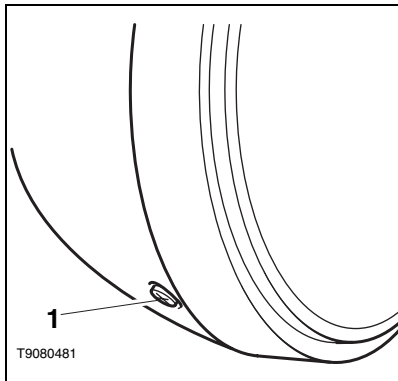
The bulbs become hot during use. Always allow sufficient time for the bulbs to cool before handling. Avoid touching the glass part of the bulb. If the glass is touched or gets dirty, clean with alcohol before re-use.

Remove the seat.

Disconnect the battery, negative (black) lead first.

Maintenance and Adjustment

Remove the two fixings securing the headlight rim to the headlight body.



1. Headlight rim fixing (1 of 2)

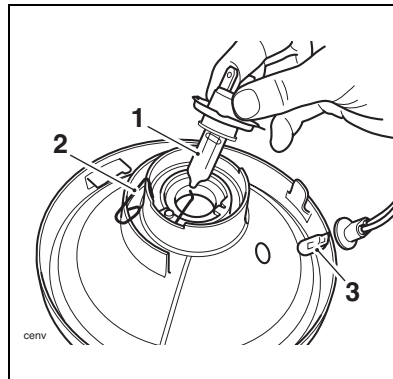
Remove the headlight from its bowl while supporting it to prevent the cables from being over-extended.

Disconnect the multi-pin electrical connector from the headlight bulb and remove the rubber cover.

Detach the wire retainer from its clip (do not remove the screw) then remove the bulb from the light unit.

To remove the position light bulb:

Without pulling on the wires, ease the bulb holder from its socket. The bulb is removed from its holder by pulling gently upwards.



1. Headlight bulb

2. Bulb clip

3. Position light bulb

Installation for both bulbs is the reverse of the removal procedure. Tighten the headlight rim fixings to **3 Nm**.

Reconnect the battery, positive (red) lead first. Refit the seat.

Caution

When reconnecting the battery, connect the positive (red) lead first.

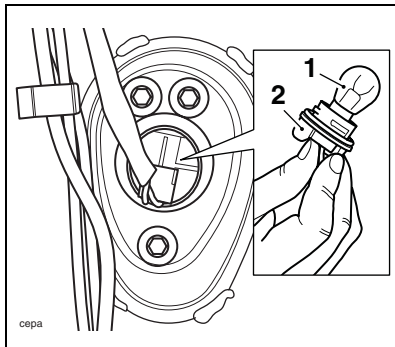
Warning

Do not reconnect the battery until the assembly process has been completed. Premature battery reconnection could result in ignition of the battery gases causing risk of injury.

Maintenance and Adjustment

Rear Light

Bulb Replacement



1. Rear light bulb
2. Bulb holder

Caution

When reconnecting the battery, connect the positive (red) lead first.

Warning

The bulb becomes hot during use. Always allow sufficient time for the bulb to cool before handling. Avoid touching the glass part of the bulb. If the glass is touched or gets dirty, clean with alcohol before re-use.

Remove the seat.

Disconnect the battery, negative (black) lead first.

The rear light bulb holder can be located underneath the rear mudguard.

Rotate the bulb holder anti-clockwise to release it from the lamp body.

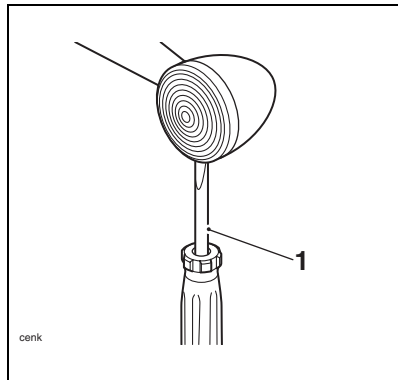
To remove the bulb from the holder, gently press inwards and twist anti-clockwise.

Installation for the bulb is the reverse of the removal procedure.

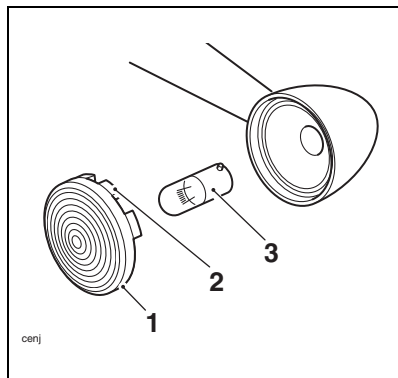
Maintenance and Adjustment

Direction Indicator Lights

Bulb Replacement



1. Screwdriver



1. Lens
2. Locating tang
3. Bulb

Use a flat bladed screwdriver to carefully remove the lens from the indicator to gain access to the bulb for replacement.

To remove the bulb, gently press inwards and twist anti-clockwise.

Installation for the bulb is the reverse of the removal procedure.

Caution

When installing the lens, ensure that the locating tang is correctly aligned to the indicator body.

To install the indicator lens, align the locating tang with the indicator body and push the lens until the retaining clips secure the lens.

Maintenance and Adjustment

Cleaning

Frequent, regular cleaning is an essential part of the maintenance of your motorcycle. If regularly cleaned, the appearance will be preserved for many years. Cleaning with cold water containing an automotive cleaner is essential at all times but particularly so after exposure to sea breezes, sea water, dusty or muddy roads and in winter when roads are treated for ice and snow. Do not use household detergent, as the use of such products will lead to premature corrosion.

Although, under the terms of your motorcycle warranty, cover is provided against the corrosion of certain items, the owner is expected to observe this reasonable advice which will safeguard against corrosion and enhance the appearance of the motorcycle.

Preparation for Washing

Before washing, precautions must be taken to keep water off the following places.

Rear opening of the exhausts: Cover with a plastic bag secured with rubber bands.

Clutch and brake levers, switch housings on the handlebar: Cover with plastic bags.

Ignition switch and steering lock: Cover the keyhole with tape.

Remove any items of jewellery such as rings, watches, zips or belt buckles, which may scratch or otherwise damage painted or polished surfaces.

Use separate cleaning sponges or cleaning cloths for washing painted/polished surfaces and chassis areas. Chassis areas (such as wheels and under mudguards) will be exposed to more abrasive road grime and dust, which may then scratch painted or

polished surfaces, if the same sponge or cleaning cloths are used.

Where to be Careful

Avoid spraying water with any great force near the following places:

- Instruments;
- Brake cylinders and brake calipers;
- Under the fuel tank;
- Headstock bearings.

Caution

Do not spray any water at all under the rider's seat. The rider's seat has the engine's air intake ducts fitted to its base and any water sprayed in this area could enter the airbox and engine, causing damage to both items.

Caution

Use of high-pressure spray washers is not recommended. When using pressure washers, water may be forced into bearings and other components causing premature wear from corrosion and loss of lubrication.

Note:

- **Use of soaps that are highly alkaline will leave a residue on painted surfaces, and may also cause water spotting. Always use a low alkaline soap to aid the cleaning process.**

Maintenance and Adjustment

After Washing

Remove the plastic bags and tape, and clear the air intakes.

Lubricate the pivots, bolts and nuts.

Test the brakes before motorcycle operation.

Start the engine and run it for 5 minutes. Ensure adequate ventilation for the exhaust fumes.

Use a dry cloth to absorb water residue. Do not allow water to stand on the machine as this will lead to corrosion.

Warning

Never wax or lubricate the brake discs. Loss of braking power and an accident could result. Clean the disc with a proprietary brand of oil-free brake disc cleaner.

Unpainted Aluminium Items

Items such as brake and clutch levers must be correctly cleaned to preserve their appearance.

Use a proprietary brand of aluminium cleaner which does not contain abrasive or caustic elements.

Clean aluminium items regularly, in particular after use in inclement weather, where the components must be hand washed and dried each time the machine is used.

Warranty claims due to inadequate maintenance will not be allowed.

Cleaning of the Exhaust System

All parts of the exhaust system of your motorcycle must be cleaned regularly to avoid a deterioration of its appearance. These instructions can be applied to chrome, brushed stainless steel and carbon fibre components alike.

Note:

- **The exhaust system must be cool before washing to prevent water spotting.**

Washing

Prepare a mixture of cold water and mild automotive cleaner. Do not use a highly alkaline soap as commonly found at commercial car washes because it leaves a residue.

Wash the exhaust system with a soft cloth. Do not use an abrasive scouring pad or steel wool. They will damage the finish.

Rinse the exhaust system thoroughly.

Ensure no soap or water enters the exhausts.

Maintenance and Adjustment

Drying

Dry the exhaust system as far as possible with a soft cloth. Do not run the engine to dry the system or spotting will occur.

Protecting

When the exhaust system is dry, rub 'Motorex 645 Clean and Protect' into the surface.

**Caution**

The use of products containing silicone will cause discolouration of the chrome and must not be used. Similarly, the use of abrasive cleaners and polishes will damage the system and must not be used.

It is recommended that regular protection be applied to the system as this will both protect and enhance the system's appearance.

STORAGE

Preparation for Storage

Clean the entire vehicle thoroughly.

Fill the fuel tank with the correct grade of unleaded fuel and add a fuel stabiliser (if available), following the fuel stabiliser manufacturer's instructions.

 **Warning**

Petrol is extremely flammable and can be explosive under certain conditions. Turn the ignition switch OFF. Do not smoke. Make sure the area is well ventilated and free from any source of flame or sparks; this includes any appliance with a pilot light.

Remove the spark plug from each cylinder and put several drops (5 ml) of engine oil into each cylinder. Cover the spark plug holes with a piece of cloth or rag. With the engine stop switch in the RUN position, push the starter button for a few seconds to coat the cylinder walls with oil. Install the spark plugs, tightening to **20 Nm**.

Change the engine oil and filter (see page 58).

Check and if necessary correct the tyre pressures (see page 97).

Set the motorcycle on a stand so that both wheels are raised off the ground. (If this cannot be done, put boards under the front and rear wheels to keep dampness away from the tyres.)

Spray rust inhibiting oil (there are a host of products on the market and your dealer will be able to offer you local advice) on all

unpainted metal surfaces to prevent rusting. Prevent oil from getting on rubber parts, brake discs or in the brake calipers.

Make sure the cooling system is filled with a 50% mixture of anti-freeze and distilled water solution (see page 60).

Remove the battery, and store it where it will not be exposed to direct sunlight, moisture, or freezing temperatures. During storage it should be given a slow charge (one ampere or less) about once every two weeks (see page 79).

Store the motorcycle in a cool, dry area, away from sunlight, and with a minimum daily temperature variation.

Put a suitable porous cover over the motorcycle to keep dust and dirt from collecting on it. Avoid using plastic or similar non-breathable, coated materials that restrict air flow and allow heat and moisture to accumulate.

Storage

Preparation after Storage

Install the battery (if removed) (see page 87).

If the motorcycle has been stored for more than four months, change the engine oil (see page 58).

Check all the points listed in the Daily Safety Checks section.

Before starting the engine, remove the spark plugs from each cylinder.

Put the side stand down.

Crank the engine on the starter motor several times until the oil pressure light goes out.

Replace the spark plugs, tightening to **20 Nm**, and start the engine.

Check and if necessary correct the tyre pressures (see page 97).

Clean the entire vehicle thoroughly.

Check the brakes for correct operation.

Test ride the motorcycle at low speeds.

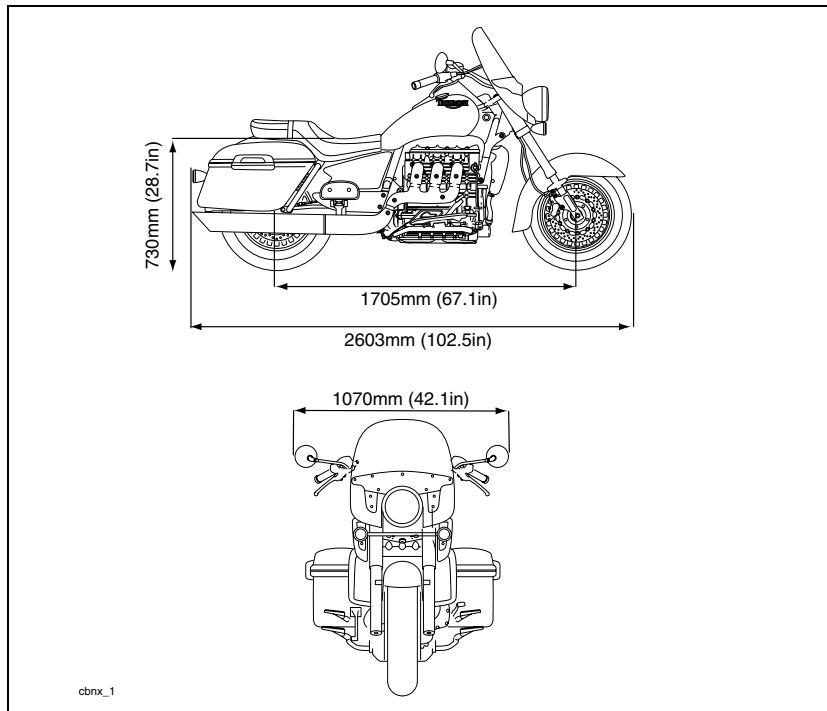
Specifications

SPECIFICATIONS

Specifications Rocket III Touring

Dimensions

Main motorcycle dimensions are shown in the diagram below.



Weights

Dry Weight 358 kg

Maximum Payload 220 kg

Specifications

Engine

| | |
|-------------------------|--------------------|
| Type..... | In-line 3 cyl. |
| Displacement..... | 2294 cc |
| Bore x Stroke | 101.6 x 94.3 mm |
| Compression Ratio | 8.7:1 |
| Cylinder Sequence | Number 1 at front. |
| Firing Order | 1-2-3 |

Performance

| | |
|---------------------------|---------------------|
| Maximum Power (DIN) | 106 PS at 5,400 rpm |
| Maximum Torque..... | 206 Nm at 2,000 rpm |

Lubrication

| | |
|--------------------------|-------------------------------|
| Lubrication System | Dry sump with remote oil tank |
| Engine Oil Capacities | |
| dry fill..... | 5.9 litres |
| oil/filter change | 5.4 litres |
| oil change only | 5.1 litres |

Specifications

Cooling

| | |
|----------------------------------|------------------|
| Coolant Type | Mobil Antifreeze |
| Water/anti-freeze ratio | 50/50 |
| Coolant Capacity | 3.2 litres |
| Thermostat Opens (nominal) | 85°C |

Fuel System

| | |
|---------------------|--------------------------------------|
| Type | Sequential electronic fuel injection |
| Fuel Pump | Submerged Electric |
| Fuel Pressure | 3 bar |

Fuel

| | |
|---------------------|---|
| Type | 91 RON unleaded (minimum octane rating) |
| Tank Capacity | 22.3 litres |

Ignition

| | |
|-----------------------|-----------------------------|
| Ignition System | Digital electronic |
| Spark Plug | NGK DPR8EA9, 2 per cylinder |
| Gap | 0.9 mm |

Specifications

Transmission

| | |
|----------------------------|---|
| Transmission Type..... | 5 speed, constant mesh with transmission damper |
| Clutch Type..... | Wet, Multi-Plate |
| Drive System..... | Universal-jointed shaft |
| Final Drive..... | Bevel geared crown wheel and pinion |
| Primary Drive Ratio..... | 1.034:1 (91/88) |
| Gear Ratio: | |
| 1st..... | 2.929:1 (41/14) |
| 2nd..... | 1.947:1 (37/19) |
| 3rd..... | 1.435:1 (33/23) |
| 4th..... | 1.160:1 (29/25) |
| 5th..... | 0.964:1 (27/28) |
| Secondary Drive Ratio..... | 1.043:1 (48/46) |
| Final Drive Ratio..... | 2.846:1 (37/13) |

Specifications

Tyres

Tyre Pressures (Cold)

| | |
|-----------------|-----------------------------------|
| Front | 2.48 bar (36 lb/in ²) |
| Rear | 2.83 bar (41 lb/in ²) |

Approved Tyres

| | |
|-----------------|--|
| Front | Metzeler ME880 Marathon 150/80 R16 71H TL |
| Rear | Metzeler ME880 Marathon 180/70 R16 77H TL |

Warning

Use the recommended tyres ONLY in the combinations given. Do not mix tyres from different manufacturers or mix different specification tyres from the same manufacturers as this may result in loss of motorcycle control and an accident.

Electrical Equipment

| | |
|--|--|
| Battery | 12 Volt, 18 Ah |
| Alternator | 37 Amp at 2,000 rpm 41 Amp at 6,000 rpm |
| Headlight | 12 Volt, 60/55 watt H4 halogen |
| Tail/Brake Light | 12 Volt, 5/21 watt |
| Directional Indicator Lights | 12 Volt, 10 watt |

Specifications

Frame

| | |
|------------|--------|
| Rake..... | 32° |
| Trail..... | 184 mm |

Tightening Torques

| | |
|--------------------------|-----------|
| Oil Filter..... | 8 - 12 Nm |
| Oil Tank Drain Plug..... | 25 Nm |
| Front Sump Plug..... | 25 Nm |
| Rear Sump Plug..... | 25 Nm |
| Spark Plug..... | 20 Nm |

Fluids and Lubricants

| | |
|-----------------------------|--|
| Engine Oil..... | Semi or fully synthetic 10W/40 or 15W/50 motorcycle engine oil which meets specification API SH (or higher) and JASO MA, such as Mobil 1 Racing 4T |
| Brake and Clutch Fluid..... | Mobil Universal Brake and Clutch Fluid DOT 4 |
| Coolant..... | Mobil Antifreeze |
| Bearings and Pivots..... | Mobil Grease HP 222 |
| Final Drive Oil..... | Mobilube SHC 75W-90 fully synthetic hypoid oil (or equivalent) |

INDEX

B

Battery
 Disposal **80**
 Installation **81**
 Maintenance **80**
 Removal **79**
 Brakes **67**
 Brake Wear Inspection **67**
 Braking **41**
 Disc Brake Fluid **68**
 Fluid Inspection and Adjustment **69**
 Light Switches **69**
 Pad Wear Compensation **68**

C

Cleaning **88**
 After Washing **89**
 Drying **90**
 Exhaust System **89**
 Preparation for Washing **88**
 Protecting **90**
 Unpainted Aluminium Items **89**
 Washing **89**
 Where to be Careful **88**
 Clutch **66**
 Adjustment **67**
 Inspection **67**
 Cooling **95**
 Cooling System **60**
 Coolant Change **62**
 Corrosion Inhibitors **60**
 Level Adjustment **62**
 Level Inspection **61**
 Radiator Hoses **63**

D

Dimensions **93**
 Direction Indicator Lights **87**
 Bulb Replacement **87**

E

Electrical Equipment **97**
 Engine
 Serial Number **15**
 Specifications **94**
 To Start the Engine **39**
 To Stop the Engine **38**
 Engine Oil **57**
 Disposal of Oil and Filters **59**
 Level Inspection **57**
 Specification and Grade **60**

F

Final Drive Unit **74**
 Oil Level Adjustment **74**
 Fluids and Lubricants **98**
 Frame **98**
 Front Fork Inspection **73**
 Fuel **95**
 Fuel Gauge **20**
 Fuel Requirement **27**
 Filling the Fuel Tank **29**
 Fuel Grade **27**
 Fuel Tank Cap **28**
 Refuelling **27**
 Fuel System **95**
 Fuse Box **82**
 Fuse Identification **82**

G

Gears
 Changing **40**

H

Headlights **83**
 Bulb Replacement **84**
 Horizontal Adjustment **84**
 Vertical Adjustment **83**
 High Speed Operation **44**

Index

I

| | |
|-------------------------------------|----|
| Ignition | 95 |
| Ignition Switch/Steering Lock | 24 |
| Key | 23 |
| Instrument Panel Layout | 19 |

L

| | |
|----------------------------------|----|
| Left Handlebar Switches | 26 |
| Direction Indicator Switch | 27 |
| Headlight Dip Switch | 26 |
| Horn Button | 27 |
| Low Fuel | 23 |
| Lubrication | 94 |

M

| | |
|------------------|----|
| Moving Off | 40 |
|------------------|----|

O

| | |
|---------------------------|----|
| Odometer/Trip Meter | 20 |
|---------------------------|----|

P

| | |
|----------------------|----|
| Pannier System | 33 |
| Performance | 94 |

R

| | |
|--------------------------------|----|
| Rear Light | 86 |
| Bulb Replacement | 86 |
| Right Handlebar Switches | 25 |
| Engine Stop Switch | 25 |
| Starter Button | 26 |
| Running-In | 35 |

S

| | |
|---------------------------------|----|
| Safe Operation | 36 |
| Daily Safety Checks | 36 |
| Safety First | 5 |
| Fuel and Exhaust Fumes | 5 |
| Handlebars and Footrests | 9 |
| Helmet and Clothing | 6 |
| Maintenance and Equipment | 7 |
| Parking | 6 |
| Parts and Accessories | 7 |
| Riding | 8 |
| The Motorcycle | 5 |
| Scheduled Maintenance | 54 |
| Seat Lock | 31 |
| Seat Retainers | 31 |
| Specifications | 93 |
| Speedometer | 20 |
| Stand | 30 |
| Steering/Wheel Bearings | 71 |
| Inspecting for Free-Play | 71 |
| Steering Inspection | 71 |
| Wheel Bearings Inspection | 72 |
| Storage | 91 |
| Preparation after Storage | 92 |
| Preparation for Storage | 91 |
| Suspension | 73 |
| Suggested Settings | 74 |

Index

| T | | W | |
|-------------------------------------|-----------|------------------------------------|---------------|
| Tachometer | 20 | Warnings | 1 |
| Throttle Control | 64 | Information | 3 |
| Inspection | 65 | Maintenance | 2 |
| Tool kit and Handbook | 30 | Noise Control System | 2 |
| Transmission | 96 | Owner's Handbook | 3 |
| Tyres | 75 | Warning Label Locations | 10, 11 |
| Minimum Tread Depth | 76 | Warning Labels | 2 |
| Replacement | 77 | Warning Lights | 22 |
| Tyre Inflation Pressures | 75 | Warnings, Cautions and Notes | 1 |
| Tyre Wear | 76 | Weights | 93 |
| V | | Windscreen | 32 |
| Vehicle Identification Number | 15 | Windscreen Cleaning | 70 |

Index

This page intentionally left blank